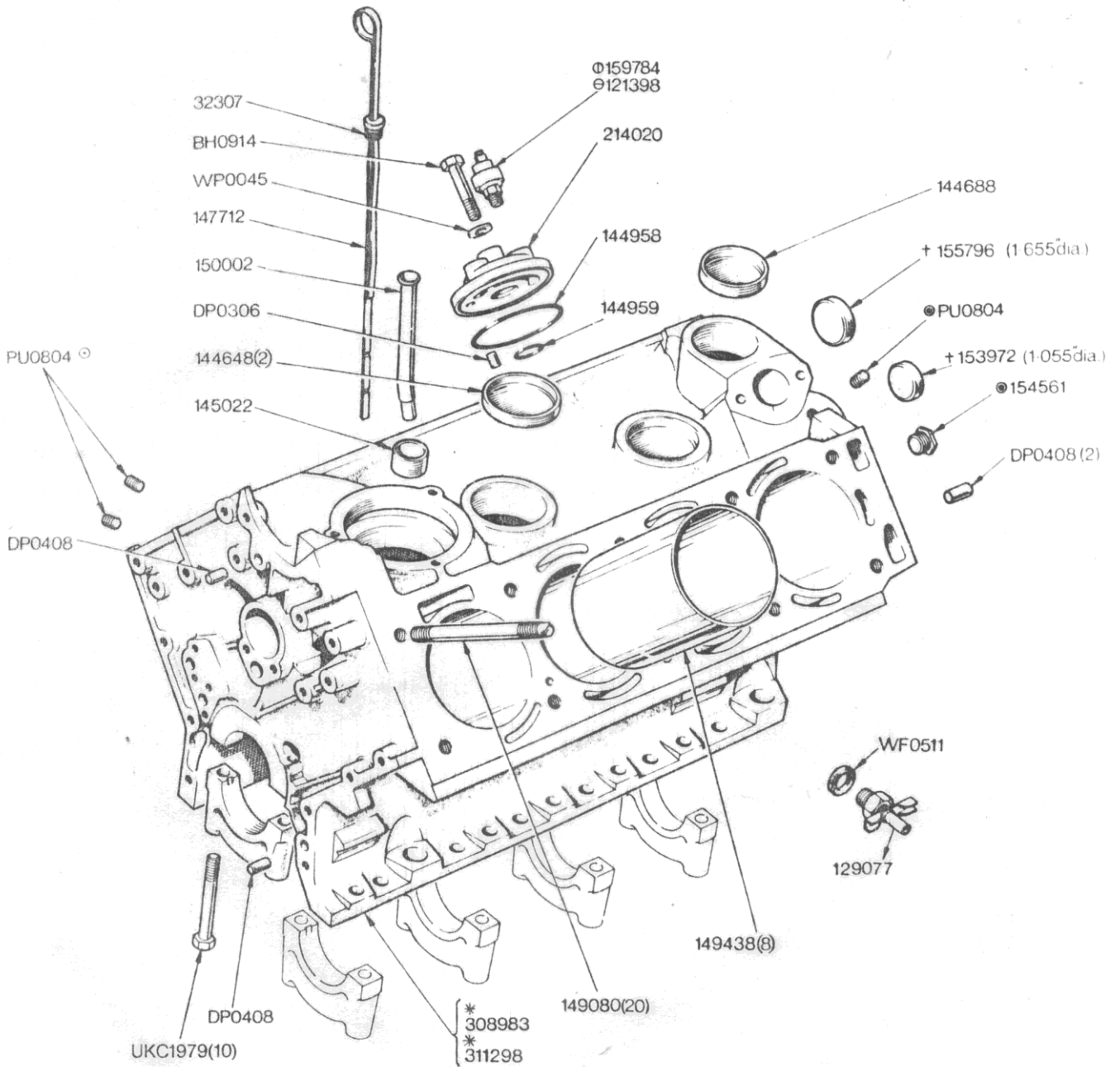


ENGINE - Cylinder Block



NOTE

##UKC0562	Short Engine European	1 off
##UKC0564	Short Engine U.S.A. only	1 off
++UKC0561	Short Engines 7.75:1C.R. (Normal)	1 off
++UKC0563	Short Engines 7.5:1C.R. (Anti-Pollution)	1 off
520904	Engine Unit (Stripped)	1 off

Short Engines consist of the following:
Cylinder Block, Crankshaft, Pistons, Con Rods, Main Bearing,
and Big End Bearings. Crankshaft Oil Seal and smaller necessary ancillary details.

++ Fitted up to Engine No. LF20,000E only
Fitted from Engine No. LF20,001E and future.

⊙ Fitted up to Engine No. LE20,000UE only
Fitted from Engine No. LE20,001UE and future

519179	DECARBONISING GASKET SET	1 off
519180	CONVERSION GASKET SET	1 off

To be used in conjunction with
Decarbonising Gasket Set for complete
engine strip.

144256 LOCTITE SEALING COMPOUND
† ALTERNATIVE FITMENT ON CYLINDER
BLOCK 311298 ONLY

* ALTERNATIVE FITMENT
⊙ FITTED TO CYLINDER BLOCK 308983 ONLY

ENGINE

02-04 Cylinder Block	Part No	
	Triumph	Rimmer Bros
Dipstick - tube	15002	127652
Dipstick - felt washer	32307	32307
Oil pressure switch - from engine no LE20000UE	121938	GPS117
Drain plug	129077	129077
Core plug	144648	144648
Core plug	144688	144688
O-ring - large	144958	144958
O-ring - small	144959	144959
Water pump spindle bush	145022	145022
Dipstick	147712	147712
Stud	149080	149080
Cylinder liner	149438	149438
Core plug - 1.055" diameter, cylinder block 311298 only	153972	153972
Drain plug, cylinder block 308983 only	154561	129077
Core plug - 1.655" diameter, cylinder block 311298 only	155796	155796
Oil pressure switch - to engine no LE20000UE	159784	GPS117
Oil transfer housing	214020	214020
Cylinder block	308983	RS1003
Cylinder block	311298	RS1003
Bolt	BH0914	BH606141
Dowel	DP0408	UKC1937
Dowel	DP0408	UKC1937
Grub screw	PU0804	148406
Grub screw, cylinder block 308983 only	PU804	148406
Bolt	UKC1979	BH607221
Washer - fibre	WF0511	WF511A
Washer - plain, light	WP0045	WB110061