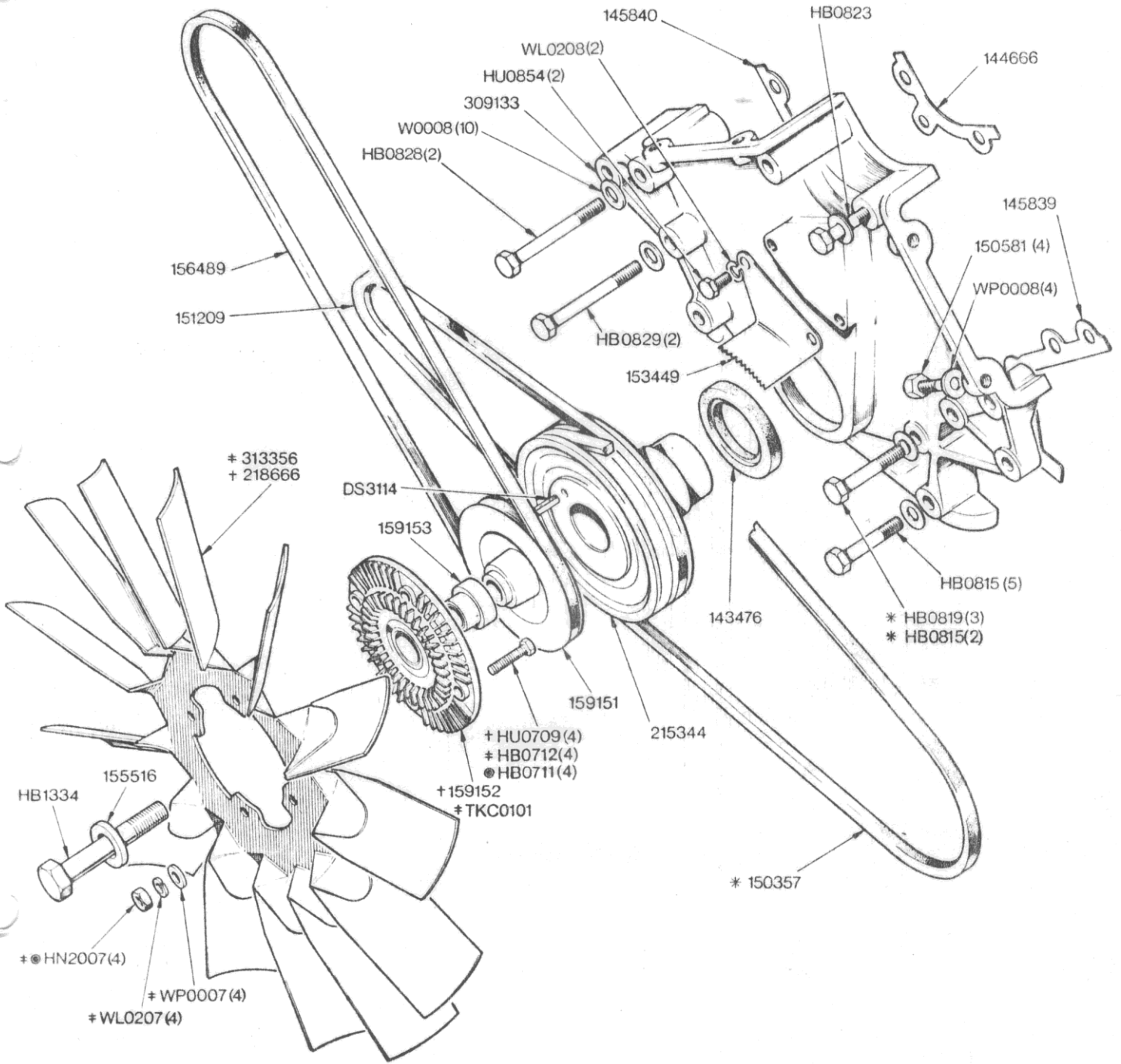


ENGINE-Timing Covers, Fan, Pulley and Fan Belt (Anti-Pollution U.S.A.)



NOTE

* REQUIRED ON AIR CONDITIONING MODEL ONLY

Note: The details on this plate are fitted from Engine No LE10001UE and future (USA only)

Fitted up to Engine No	only	
Fitted from Engine No	and up to	only
Fitted from Engine No	and future	

ENGINE

02-13 Timing Covers, Fan, Pulley and Fan Belt (Anti-pollution USA) From engine no LE10001UE	Part No	
	Triumph	Rimmer Bros
Crankshaft front oil seal	143476	
Gasket	144666	144666
Gasket	145839	145839
Gasket	145840	145840
Drive belt - air conditioning	150357	GCB21075
Bolt	150581	
Drive belt - alternator	151209	151209
Timing quadrant	153449	153449
Washer - dowel	155516	155516
Drive belt - power assisted steering pump	156489	GFB11113
Pump pulley	159151	159151
Viscous coupling - to engine no ?	159152	
Fan spigot	159153	
Crankshaft pulley & TV damper	215344	215344
Cooling fan - to engine no ?	218666	
Timing cover	309133	309133
Cooling fan - from engine no ?	313356	PKC820
Dowel	DS3114	DS3114
Bolt	HB0711	
Bolt	HB0712	
Bolt - air conditioning models only	HB0815	HB816
Bolt - non air conditioning models	HB0815	HB816
Bolt - air conditioning models only	HB0819	BH605201
Bolt	HB0823	BH605321
Bolt	HB0828	GHF301
Bolt	HB0829	BH605321
Bolt - pulley retaining	HB1334	HB1333
Nut - to engine no ?	HN2007	GHF200
Setscrew - hex head	HU0709	
Setscrew - hex head	HU0854	SH505041
Viscous coupling - from engine no ?	TKC0101	TKC101
Washer - lock	WL0208	GHF332
Washer - lock, to engine no ?	WL0207	
Washer - plain	WP0008	GHF301
Washer - plain	WP0008	GHF301
Washer - plain, to engine no ?	WP0007	GHF331