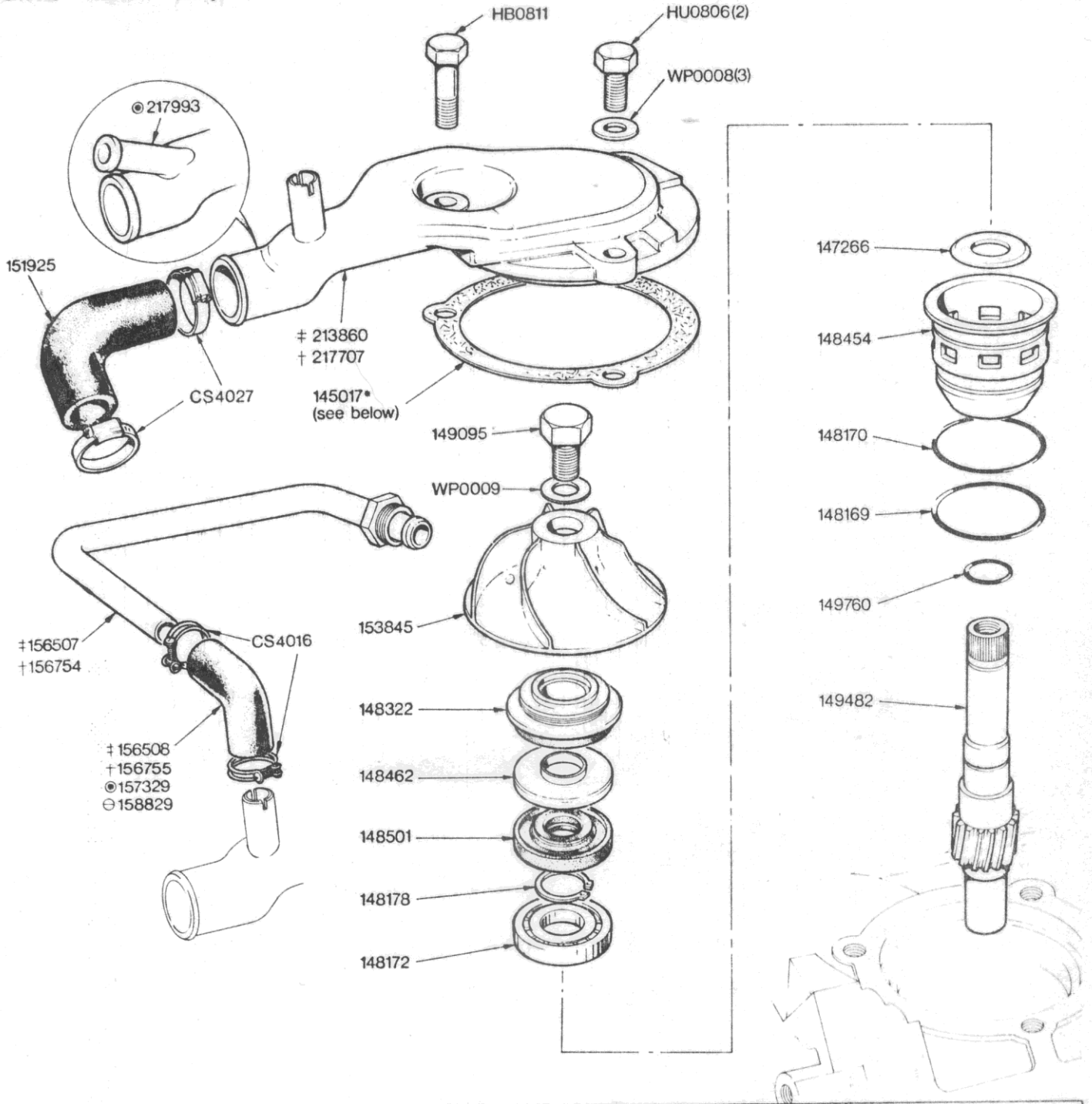


ENGINE - Water Pump



NOTE

- 519343 WATER PUMP ASSEMBLY 1off
- * 145017 GASKET WATER PUMP COVER .010 A/R
- * 149852 GASKET WATER PUMP COVER .020 A/R
- * 149853 GASKET WATER PUMP COVER .030 A/R

‡ Fitted up to Engine No LE17 only

† Fitted from Engine No LE18 up to LE10,000 (USA) and from LF1 up to LF2445 (All other markets)

⊙ Fitted from Engine No LE10,000E and future (USA) LF2446 and future (All other markets)

Hose 156755 to be used with 217707 Cover

For all replacements of 217707 use 217993 and 157329

⊙158829 use with Inlet Manifold 312506 only

ENGINE

02-15 Water Pump	Part No	
	Triumph	Rimmer Bros
Gasket - 0-010" thick	145017	145017
Oil thrower	147266	147266
O-Ring	148169	148169
O-Ring	148170	148170
Bearing	148172	148172
Circlip	148178	148178
Seal	148322	148322
Bearing & seal housing	148454	148454
Thrower	148462	148462
Oil seal	148501	148501
Bolt - LH thread	149095	149095
Water pump spindle	149482	149482
O-ring	149760	149760
Gasket - 0-020" thick	149852	149852
Gasket - 0-030" thick	149853	149853
Hose - radiator pipe to radiator bottom	151925	GRH490
Bypass pipe assembly - to engine no LE17	156507	
Bypass hose - to engine no LE17	156508	
Bypass pipe assembly - from engine no LE18 to LE100000 (USA) & engine no LF1 to LF2445 (other markets)	156754	156754
Bypass hose - from engine no LE18 to LE100000 (USA) & engine no LF1 to LF2445 (other markets)	156755	GRH815
Bypass hose - LE100000E (USA) & from LF2446 (other markets)	157329	GRH815
Bypass hose - use with inlet manifold 312506 only	158829	
Water pump cover - to engine no LE17	213860	
Water pump cover - from engine no LE18 to LE100000 (USA) & engine no LF1 to LF2445 (other markets)	217707	
Water pump cover - from engine no LE100000E (USA) & from engine no LF2446 (all other markets)	217993	217993
Water pump assembly	519343	GWP207
Hose clip	CS4016	GHC406
Hose clip	CS4027	GHC1015
Bolt	HB0811	BH605111
Setscrew - hex head	HU0806	GHF120
Washer - plain	WP0008	GHF301
Washer - plain	WP0009	GHF302