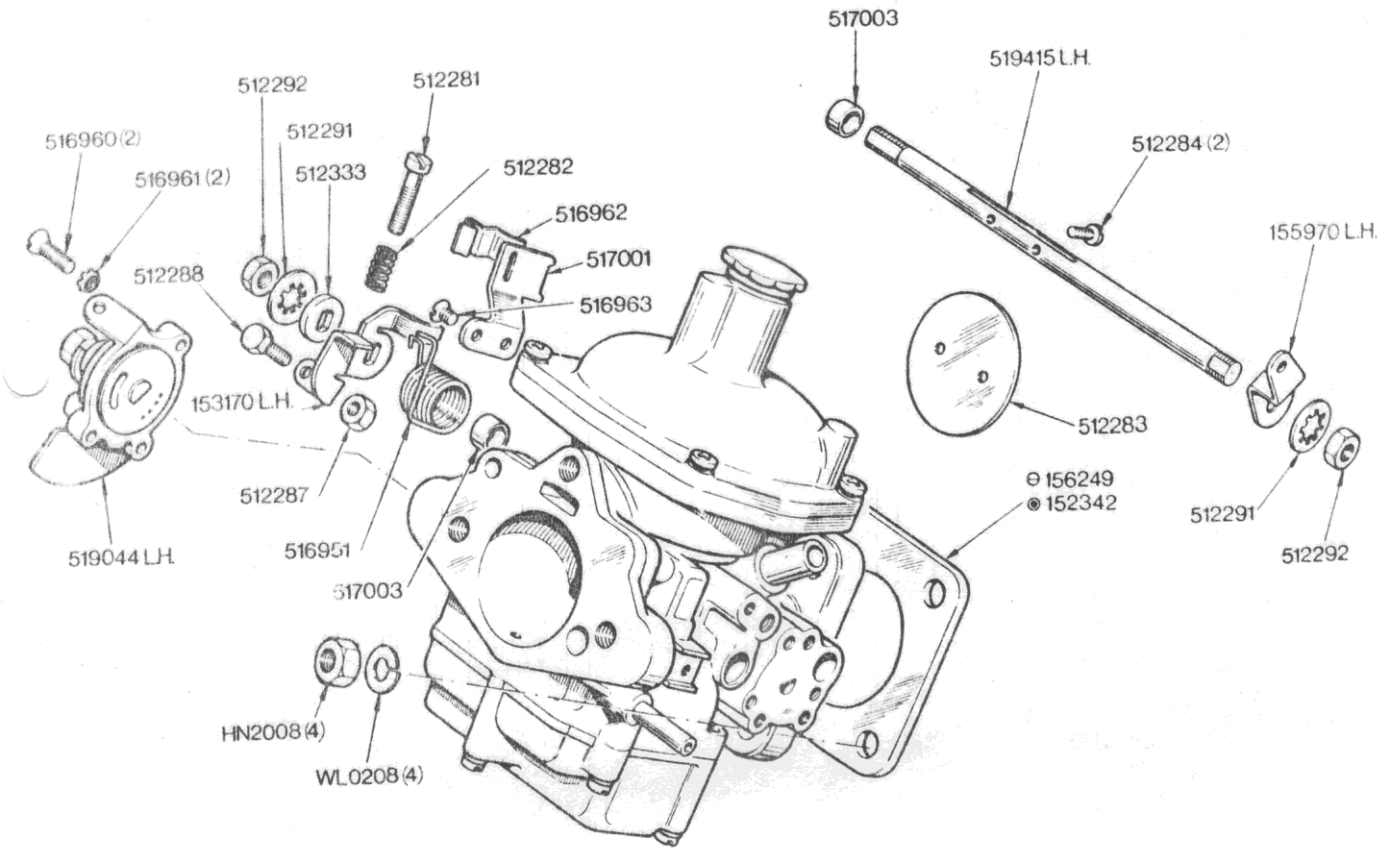


ENGINE - Carburettor Details L.H. (not fitted to Anti-pollution Engines)



For all other details see PLATE 02-23

NOTE:-
 311217 CARBURETTOR ASSEMBLY L.H. 1off
 (fitted up to commission No.LF2538 only.)
 311969 CARBURETTOR ASSEMBLY L.H. 1off
 (fitted from commission No. LF2539 and up to LD30002 only)
 RKC 0824 CARBURETTOR ASSEMBLY L.H. 1off
 (fitted from LD30003 and future)
 ● Fitted up to Engine No. LF20,000E only
 ○ Fitted from Engine No. LF20,001E and future

ENGINE

02-24 Carburettor Details LH (not fitted to anti-pollution engines)	Part No	
	Triumph	Rimmer Bros
Gasket - to engine no LF20000E	152342	
Throttle stop & fast idle lever	153170	
Throttle lever	155970	155970
Gasket - from engine no LF20001E	156249	
Carburettor assembly - to commission no LF2538	311217	
Carburettor assembly - from commission no LF2539 to LD30002	311969	
Screw	512281	512281
Spring	512282	512282
Throttle	512283	605800
Screw	512284	605801
Nut	512287	512287
Screw	512288	512288
Washer - shakeproof	512291	GHF322
Nut	512292	512292
Washer - plain	512333	
Spring - to commission no LF23931	516951	516951
Screw	516960	516960
Washer - shakeproof	516961	516961
Clip	516962	
Screw	516963	
Bracket	517001	517001
Seal	517003	
Starter assembly - to commission no LD40001	519044	519044
Spindle	519415	519415
Nut	HN2008	GHF201
Carburettor assembly - from LD30003	RKC0824	
Washer - lock	WL0208	GHF332