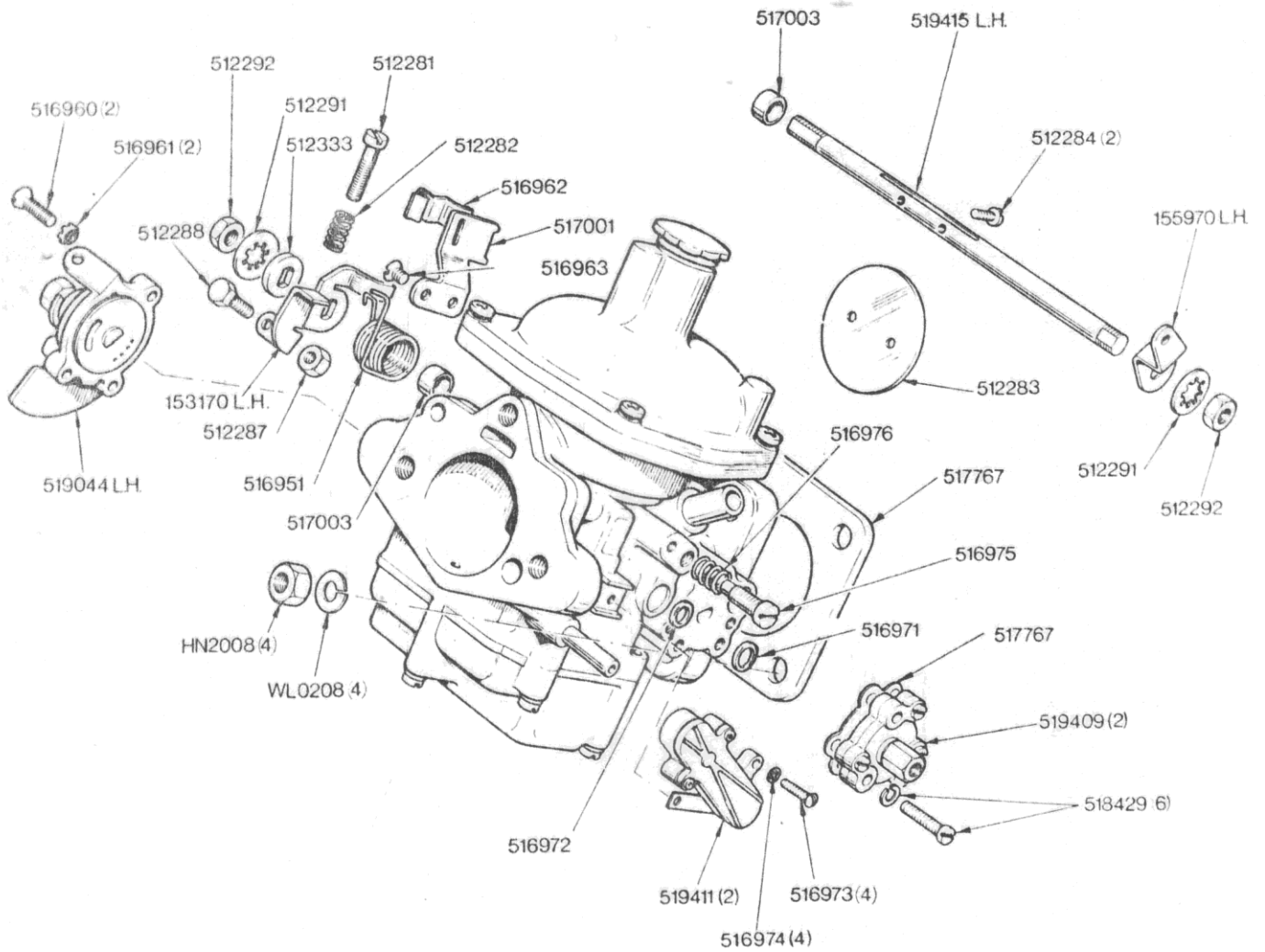


ENGINE - Carburettor Details L.H. (anti-pollution only)



NOTE  
 313213 Carburettor Assembly L.H. 1 off Fitted from Engine No. LE20,001UE and future

# ENGINE

02-28 Carburettor Details LH (anti-pollution engines only) From engine no LE20001E	Part No	
	Triumph	Rimmer Bros
Throttle stop & fast idle lever	153170	
Throttle lever	155970	155970
Gasket	156249	
Carburettor assembly	313213	
Screw	512281	512281
Spring	512282	512282
Throttle	512283	605800
Screw	512284	605801
Nut	512287	512287
Screw	512288	512288
Washer - shakeproof	512291	GHF322
Nut	512292	512292
Washer - plain	512333	
Spring	516951	516951
Screw	516960	516960
Washer - shakeproof	516961	516961
Clip	516962	
Screw	516963	
Washer	516971	516971
Washer	516972	516972
Screw	516973	516973
Washer	516974	516974
Bracket	517001	517001
Seal	517003	
Gasket	517767	
Screw & spring washer	518429	
Starter assembly	519044	519044
By-pass valve	519409	
Temperature compensator	519411	519411
Spindle	519415	519415
Nut	HN2008	GHF201
Washer - lock	WL0208	GHF332