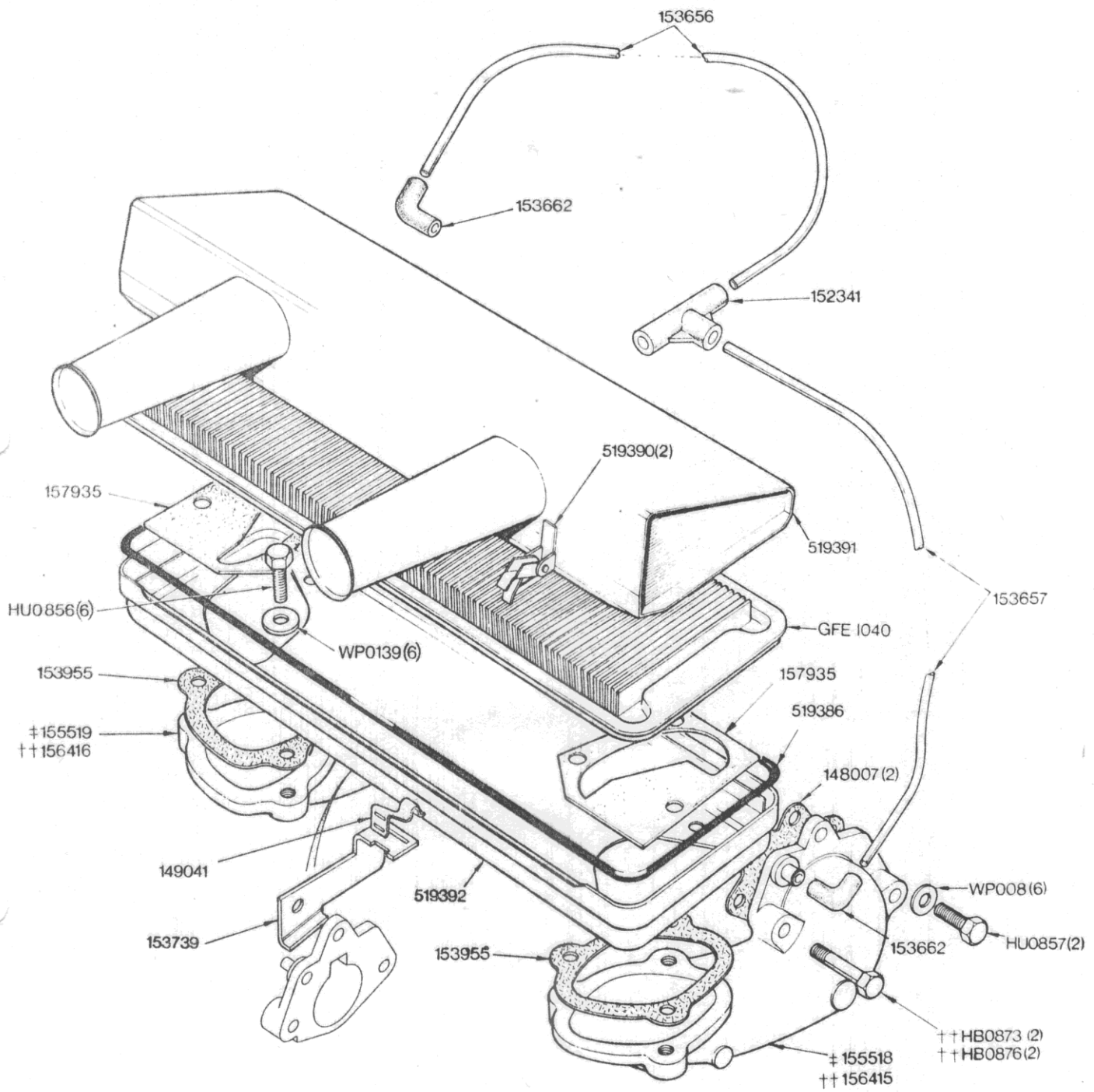


ENGINE - Air Cleaner (Not fitted to Anti-pollution Engines)



NOTE

- ‡311252 Air cleaner and silencer assembly
- ††311598 Air cleaner assembly
- ‡Fitted up to Engine No LD481E only
- †Fitted from Engine No LD482E and future
- Items marked thus †† to be used for all replacements

ENGINE

02-30 Air Cleaner (Not fitted to anti-pollution engines)	Part No	
	Triumph	Rimmer Bros
Mounting clip	149041	517001C
T-piece	152341	152341
Vent pipe - RH	153656	153656
Vent pipe - LH	153657	153657
Elbow	153662	153662
Mounting plate	153739	153739
Gasket - air cleaner to elbow	153955	153955
Elbow - LH, to engine no LD481E	155518	156415
Elbow - RH, to engine no LD481E	155519	156416
Elbow - LH, from engine no LD482E	156415	156415
Elbow - RH, from engine no LD482E	156416	156416
Tuning plate	157935	157395
Air cleaner assembly - to engine no LD481E	311252	
Air cleaner assembly - from engine no LD482E	311598	311598
Gasket	519386	RTC312A
Toggle clip assembly	519390	519390
Shell assembly - top	519391	519391
Shell assembly - bottom	519392	519392
Air filter	GFE1040	GFE1040
Bolt	HB0873	
Bolt	HB0876	
Bolt	HU0856	SH505061
Setscrew	HU0857	
Washer - plain	WP0008	
Washer - plain	WP0139	517263