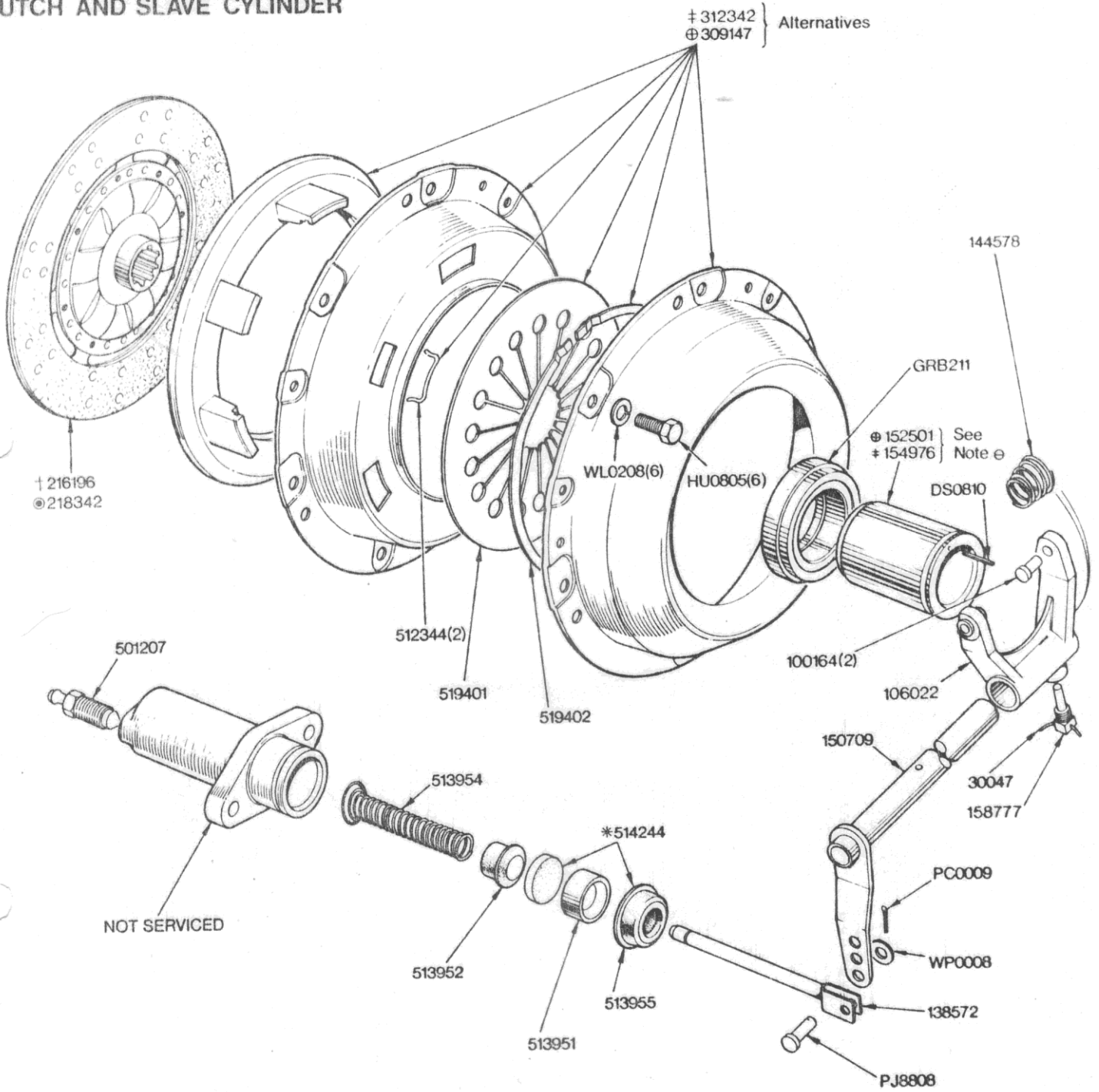


# CLUTCH AND SLAVE CYLINDER



NOTE		
211060	CLUTCH SLAVE CYLINDER ASSEMBLY (not required when Automatic Transmission is fitted)	1 off
*513390	SERVICE KIT, slave cylinder	1 off
519400	FACING KIT, driven plate	1 off
⊕	Fitted up to Commission No. only	
†	Fitted from Commission No. and future	
⊕	Note: Service in pairs with 154975 (see 02-36)	

## CLUTCH & SLAVE CYLINDER

02-35 Clutch & Slave Cylinder	Part No	
	Triumph	Rimmer Bros
Pin	100164	100164
Clutch operating fork assembly	106022	106022
Push rod	138572	138572
Clutch shaft spring	144578	144578
Clutch shaft assembly	150709	150709
Throwout bearing sleeve - from commission no ?	152501	
Throwout bearing sleeve - to commission no ?	154976	154976
Clutch slave cylinder assembly	211060	UKC8677
Clutch driven plate	216196	
Clutch driven plate	218342	
Clutch cover assembly - alternative	309147	
Clutch cover assembly - alternative	312342	GCC180
Bleed nipple	501207	606733A
Clip	512344	
Clutch slave cylinder repair kit	513390	513390
Piston	513951	
Spring	513954	
Seal	513955	
Repair kit	514244	
Driven plate facing kit	519400	
Clutch diaphragm spring	519401	
Clutch diaphragm retaining ring	519402	
Dowel	DS810	DS812
Throwout bearing	GRB211	GRB211
Setscrew	HU0805	SH605051
Split pin	PC0009	PC10
Clevis pin	PJ8808	PJ8808
Washer - lock	WL0208	GHF332
Washer - plain	WP0008	GHF301