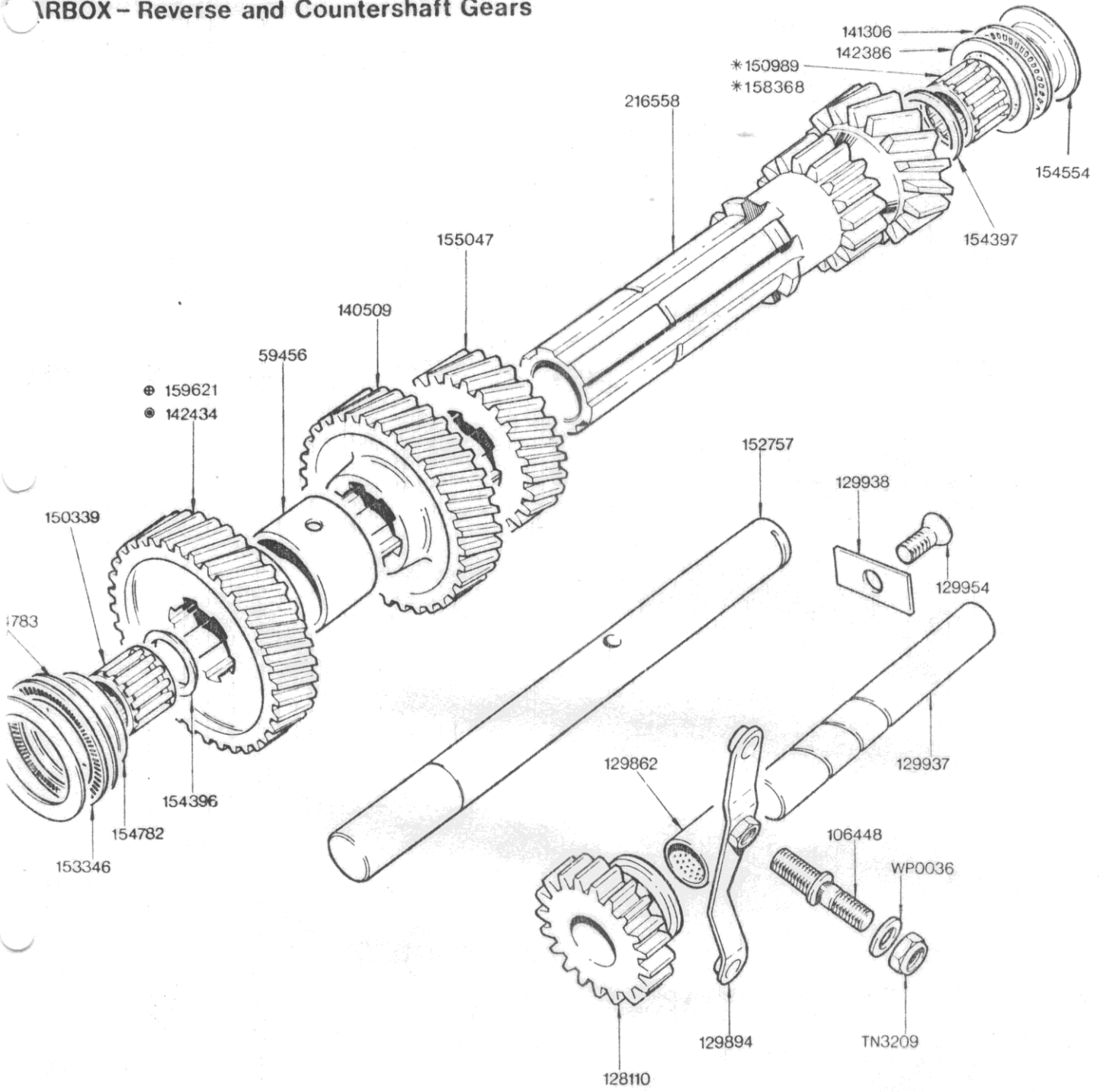


IRBOX - Reverse and Countershaft Gears



158368 Needle Roller Bearing alternative to 150989.
 Fitted up to Commission No. LE 10883 and LD5818 only
 Fitted from Commission No. LE 10884 and LD5819 and future

GEARBOX

02-40 Reverse & Countershaft Gears	Part No	
	Triumph	Rimmer Bros
Distance piece	59456	59456
Fulcrum	106448	106448
Reverse gear	128110	128110
Bush	129862	129862
Reverse operating lever assembly	129894	129894
Reverse spindle	129937	129937
Plate	129938	129938
Screw	129954	129954
3 rd speed gear countershaft	140509	140509
Thrust bearing	141306	141306
Washer - reverse gear shaft	142386	142386
Constant gear - from commission no LE10884 & LD5819	142434	142434
Needle cage bearing	150339	150339
Needle roller bearing	150989	
Countershaft	152757	152757
Thrust washer	153346	153346
Collar	154396	154396
Backing washer - front bearing	154397	154397
Thrust washer	154554	154554
Collar	154782	154782
Thrust washer	154783	154783
2 nd speed gear countershaft	155047	155047
Needle roller bearing - alternative to 150989	158368	158368
Reverse gear shaft - to commission no LE10883 & LD5818	159621	159621
Countershaft	216558	216558
Nut - nyloc	TN3209	TN3209
Washer - plain	WP0036	GHF333