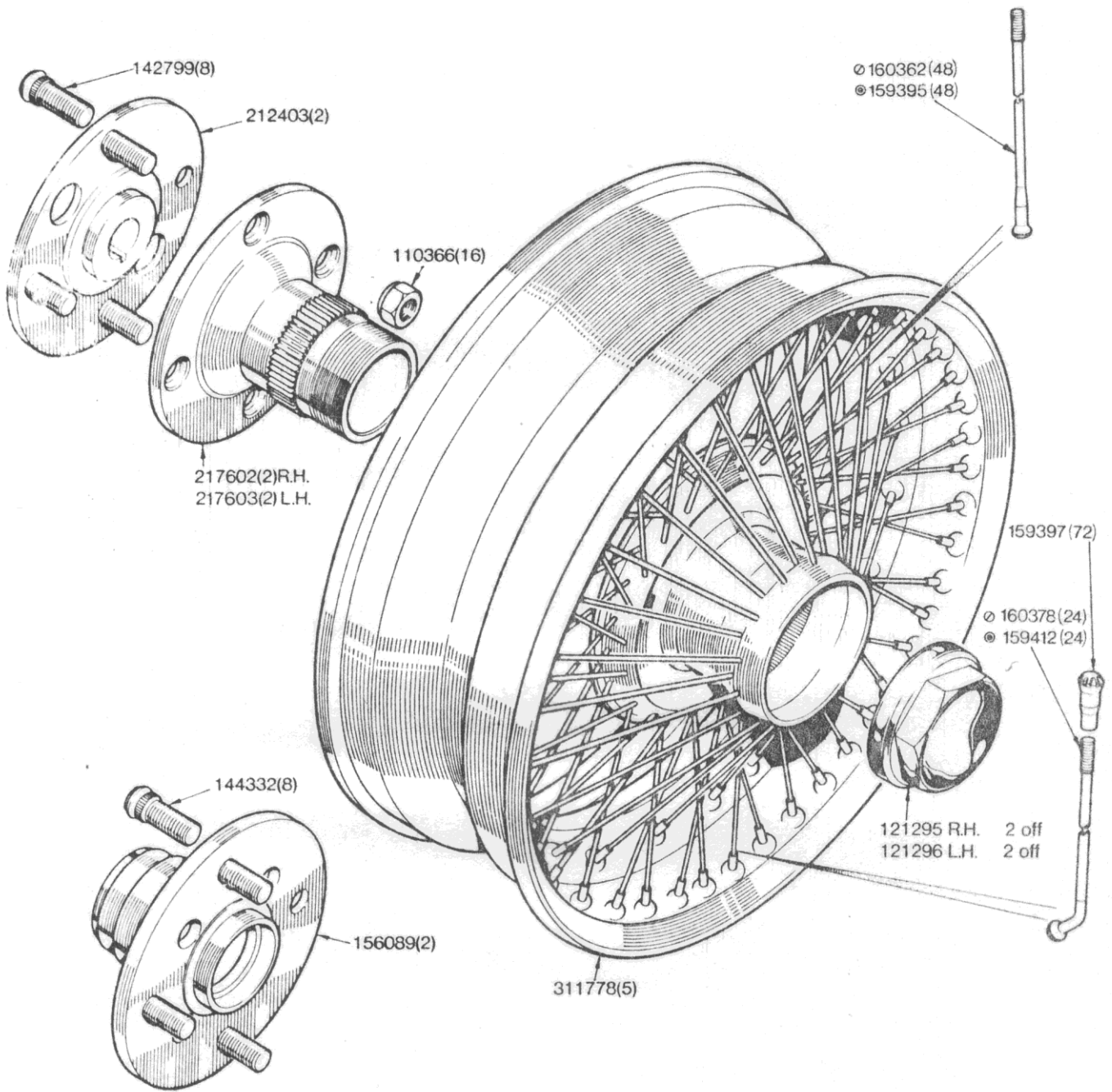


WIRE WHEELS - U.S.A and Special Orders only (Fitted up to LE 20271 only)



NOTE

| | | |
|---------------------------------------|--|-------|
| 3700 | Wire Wheel Kit (Comprising all above items) | 1 off |
| 1914 | Rear Hub and Half Shaft Assembly | 2 off |
| Fitted to all U.S.A. models | | |
| Fitted up to Commission No. only | | |
| Fitted from Commission No. and future | | |

ROAD WHEELS

| 02-50 Wire Wheels - USA & Special Orders only (fitted up to LE20271 only) | Part No | |
|---|---------|-------------|
| | Triumph | Rimmer Bros |
| Nut | 110366 | RSRN716 |
| Octagonal wheel nut - RH | 121295 | KC4280R |
| Octagonal wheel nut - LH | 121296 | KC4280L |
| Wheel stud | 142799 | |
| Wheel stud | 144332 | |
| Front hub & stud assembly | 156089 | |
| Spoke - to commission no ? | 159395 | |
| Head torque nipple | 159397 | |
| Spoke - to commission no ? | 159412 | |
| Spoke - from commission no ? | 160362 | |
| Spoke - from commission no ? | 160378 | |
| Driving flange | 212403 | |
| Hub extension - RH | 217602 | 217602 |
| Hub extension - LH | 217603 | 217603 |
| Wire wheel - chrome plated | 311778 | XW5714C |
| Rear hub & half shaft assembly | 311914 | |
| Wire wheel kit - chrome plated | 519700 | RS1087CEC |
| Wire wheel kit - painted | | RS1087P |
| Wire wheel - painted | | XW5714P |
| 2-eared wheel nut - RH | | KC4282R |
| 2-eared wheel nut - LH | | KC4282L |
| 3-eared wheel nut - RH | | KC4282R-3 |
| 3-eared wheel nut - LH | | KC4282L-3 |