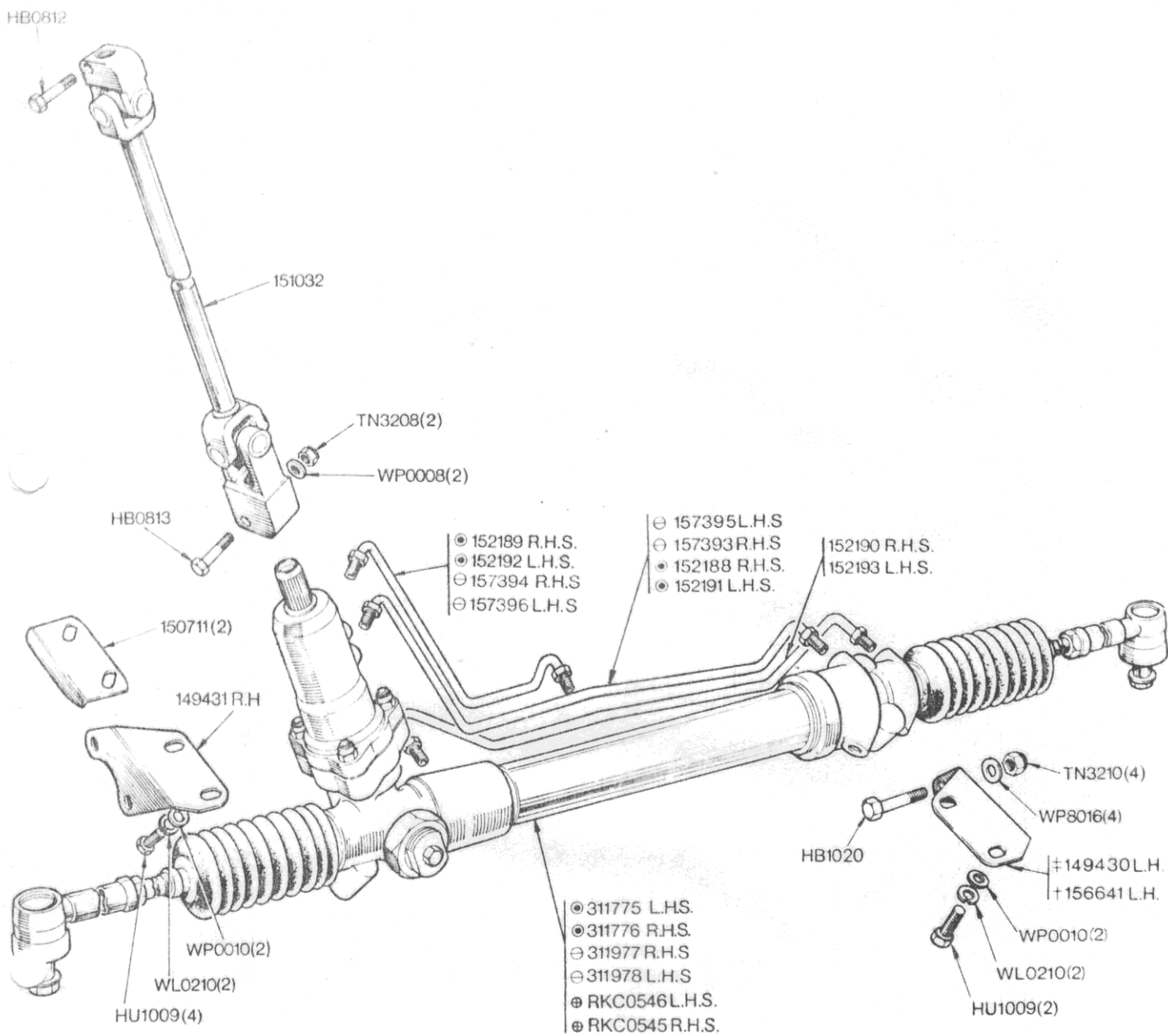


SPRING - Rack and Pinion Assembly and Lower Shaft.



NOTE

*For breakdown details see Plate 02-50

- ‡ Fitted up to Commission No. only
- † Fitted from Commission No. and future
- ⊙ Fitted up to Commission No. LD112 only
- Fitted from Commission No. LD113 and up to only
- ⊕ Fitted from Commission No. and future

STEERING

02-54 Rack & Pinion Assembly and Lower Shaft	Part No	
	Triumph	Rimmer Bros
Mounting bracket - LH, to commission no ?	149430	
Mounting bracket - RH	149431	149431
Locating plate	150711	150711
Lower Steering shaft	151032	151032
Hydraulic pipe - RHS, to LD23971 (Home & Europe)	152188	
Hydraulic pipe - RHS, to LD23971 (Home & Europe)	152189	
Hydraulic pipe - RHS	152190	
Hydraulic pipe - LHS, to LD23971 (Home & Europe) & LE23771 (USA)	152191	
Hydraulic pipe - LHS, to LD23971 (Home & Europe) & LE23771 (USA)	152192	
Hydraulic pipe - LHS	152193	
Mounting bracket - LH, from commission no ?	156641	156641
Hydraulic pipe - RHS, from LD23971 (Home & Europe)	157393	
Hydraulic pipe - RHS, from LD23971 (Home & Europe)	157394	
Hydraulic pipe - LHS, from LD23971 (Home & Europe) & LE23771 (USA)	157395	
Hydraulic pipe - LHS, from LD23971 (Home & Europe) & LE23771 (USA)	157396	
Rack & pinion assembly - RHS to LD23971 (Home & Europe)	311977	
Rack & pinion assembly - LHS, to LD23971 (Home & Europe) & LE23771 (USA)	311978	
Bolt	HB0812	GHF104
Bolt	HB0813	BH605141
Bolt	HB1020	BH607201
Bolt	HU1009	BH607101
Rack & pinion assembly - RHS, from LD23971 (Home & Europe) LE23771 (USA)	RKC545	RKC545R
Rack & pinion assembly - LHS, from LD23971 (Home & Europe) LE23771 (USA)	RKC546	RKC546R
Nut - nyloc, thin	TN3208	GHF272
Nut - nyloc, thin	TN3210	GHF274
Washer - lock	WL0210	WD600071
Washer - plain	WP0008	GHF301
Washer - plain	WP0010	WL600071
Washer - plain	WP8016	WC600071