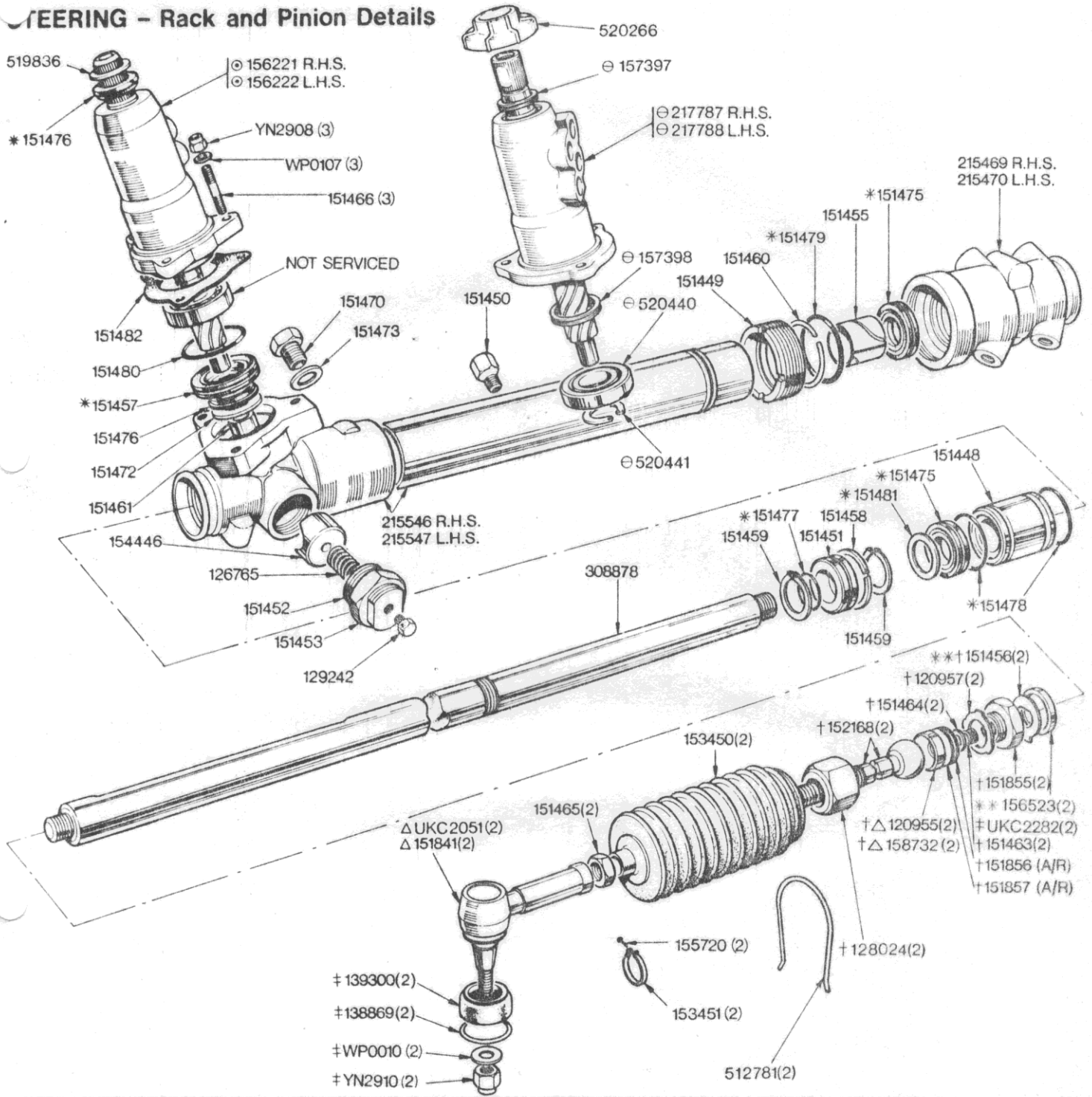


STEERING - Rack and Pinion Details



NOTE:

Items marked thus * are included in Oil Seal Kit Part No. 518986
 Items marked thus † are part of Inner Ball Joint Assembly Part No. 152167
 Items marked thus ‡ are part of Outer Ball Joint Assembly Part No. 151841
 * *156523 Lockstop, which is $\frac{3}{8}$ thick, must be used in car set (ie 2off) for all replacements of 151456 Tab Washer and 154407 Lockstop Ring
 ⊙ Fitted up to commission No.LD112 only
 ⊕ Fitted from commission No.LD113 and future
 ‡ Fitted from Commission No. and future
 Δ Alternative fitment

STEERING

02-55 Rack & Pinion Details	Part No	
	Triumph	Rimmer Bros
Ball socket - alternative	120955	
Washer - tab	120957	
Spring	126765	
Ball housing	128024	
Plug	129242	
Gaiter clip - from commission no ?	138869	
Gaiter - from commission no ?	139300	
Housing seal	151448	
Nut	151449	
Adaptor	151450	
Piston	151451	
Screwed plug	151452	
Nut - locking	151453	
Bush rack	151455	
Washer - tab	151456	
Housing seal	151457	
Piston ring	151458	
Circlip	151459	
Circlip	151459	
Spring clip	151460	
Bearing	151461	
Spring	151463	
Washer - packing	151464	
Nut	151465	151465
Stud	151466	
Adaptor	151470	
Washer - backing	151472	
Washer - plain	151473	
Pinion oil seal	151475	
Pinion oil seal	151476	
O-ring	151477	
O-ring	151478	
O-ring	151479	
O-ring	151480	
Anti-extrusion ring	151481	
Gasket	151482	
Outer ball joint assembly - alternative	151841	
Adaptor	151855	
Shim - 0.002"	151856	
Shim - 0.010"	151857	
Ball pin	152168	
Bellows	153450	RTC2219
Clip	153451	UKC5533
Plunger	154446	
Thread protector	155720	
Valve assembly - RHS, to commission no LD112	156221	
Valve assembly - LHS, to commission no LD112	156222	
Lockstop	156523	

STEERING

02-55 Rack & Pinion Details continued	Part No	
	Triumph	Rimmer Bros
Valve housing top seal - from commission no LD113	157397	
Bottom pinion seal - from commission no LD113	157398	
Ball socket - alternative	158732	
End housing - RHS	215469	
End housing - LHS	215470	
Cylinder & housing assembly - RHS	215546	
Cylinder & housing assembly - LHS	215547	
Valve assembly - RHS, from commission no LD113	217787	
Valve assembly - LHS, from commission no LD113	217788	
Rack	308878	
Gaiter clip	512781	512781
Washer seal	519836	
Rotor valve protective shield	520266	
Bearing - from commission no LD113	520440	
Circlip - from commission no LD113	520441	
Outer ball joint assembly - alternative	UKC2051	
Washer - plain, from commission no ?	WP0010	WD600071
Washer - plain	WP0107	
Nut - nyloc	YN2908	
Nut - nyloc, from commission no ?	YN2910	GHF224
Track rod end		GSJ157