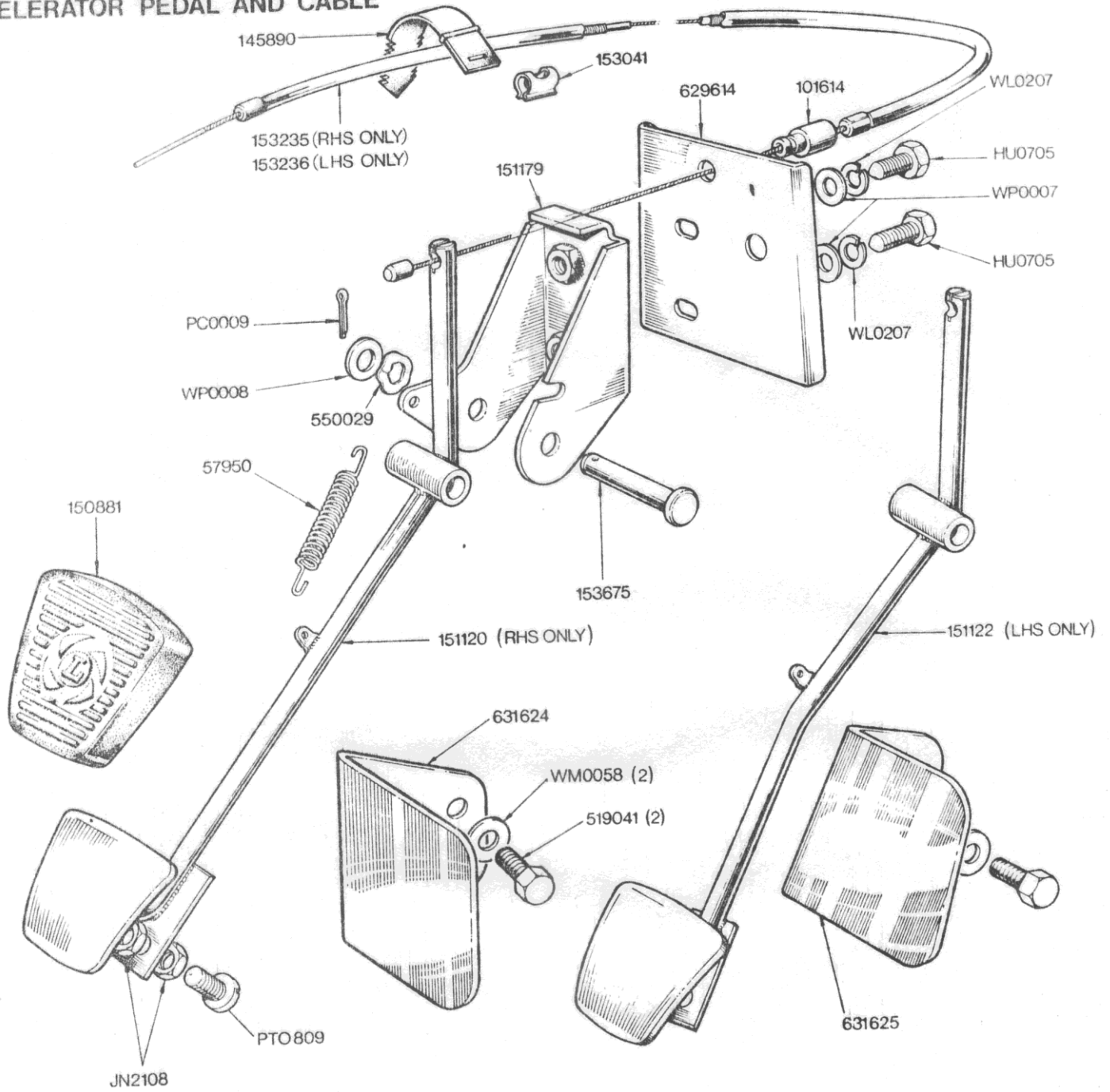


# ACCELERATOR PEDAL AND CABLE



## ACCELERATOR PEDAL & CABLE

02-58 Accelerator Pedal & Cable	Part No	
	Triumph	Rimmer Bros
Return spring	57950	57950
Abutment	101614	101614
Cable tie	145890	BMK1900
Accelerator pedal - RHS	151120	151120
Accelerator pedal - LHS	151122	151122
Pedal mounting bracket assembly	151179	151179
Clip	153041	153041
Accelerator cable - RHS	153235	153235
Accelerator cable - LHS	153236	153236
Clevis pin	153675	153675
Setscrew	519041	SH605101
Washer	550029	550029
Mounting plate	629614	629614
Driver's footrest - RHS	631624	631624
Driver's footrest - LHS	631625	631625
Pedal rubber pad	1505581	1505581
Setscrew	HU0705	SH604051
Nut - jam	JN2108	SE605101
Cotter pin	PC0009	PC10
Setscrew	PT0809	PT809
Washer - lock	WL0207	GHF331
Washer - plain	WM0058	WM58
Washer - plain	WP0007	WC701121
Washer - plain	WP0008	GHF301