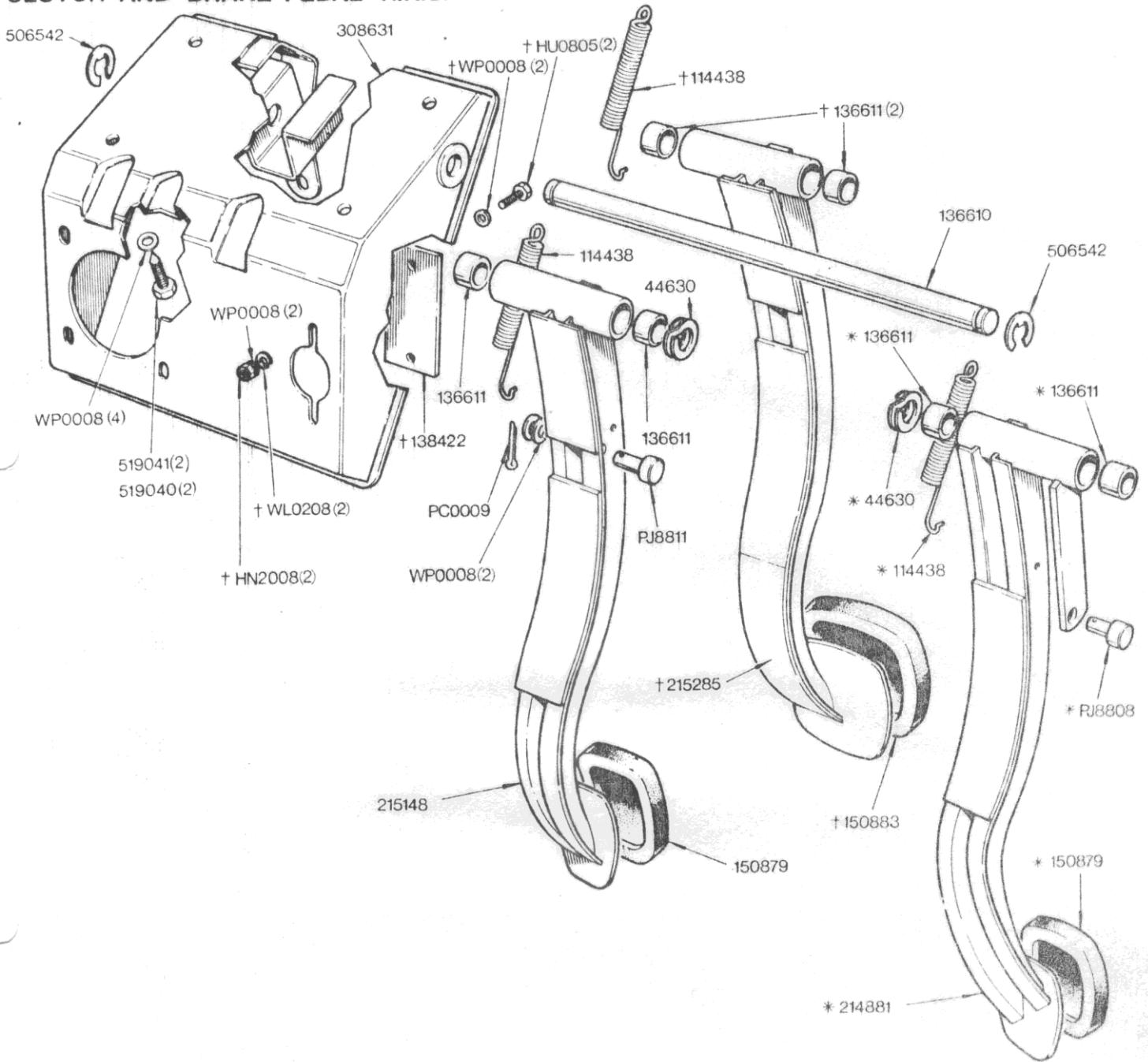


CLUTCH AND BRAKE PEDAL-R.H.S.



NOTE:

Items marked thus † only required when automatic transmission is fitted.
 Items marked thus * are not required when automatic transmission is fitted

CLUTCH & BRAKE PEDAL

02-59 Right Hand Steering	Part No	
	Triumph	Rimmer Bros
Washer - manual transmission	44630	44630
Brake & Clutch pedal return spring	114438	114438
Pedal shaft	136610	136610
Brake & Clutch pedal bush	136611	136611
Blanking plate - automatic transmission only	138422	
Brake & Clutch pedal pad	150879	150879
Brake pedal pad - automatic transmission	150883	150883
Clutch pedal	214881	
Brake pedal - automatic transmission	215148	
Brake pedal - manual transmission	215285	
Pedal mounting bracket assembly	308631	
E-clip	506542	506542
Setscrew	519040	
Setscrew	519041	
Nut - automatic transmission only	HN2008	
Setscrew - automatic transmission only	HU0805	
Cotter pin - manual & automatic transmission	PC0009	PC10
Clevis pin	PJ8808	PJ8811
Clevis pin - manual & automatic transmission	PJ8811	PJ8811
Washer - lock, automatic transmission only	WL0208	
Washer - plain	WP0008	GHF301