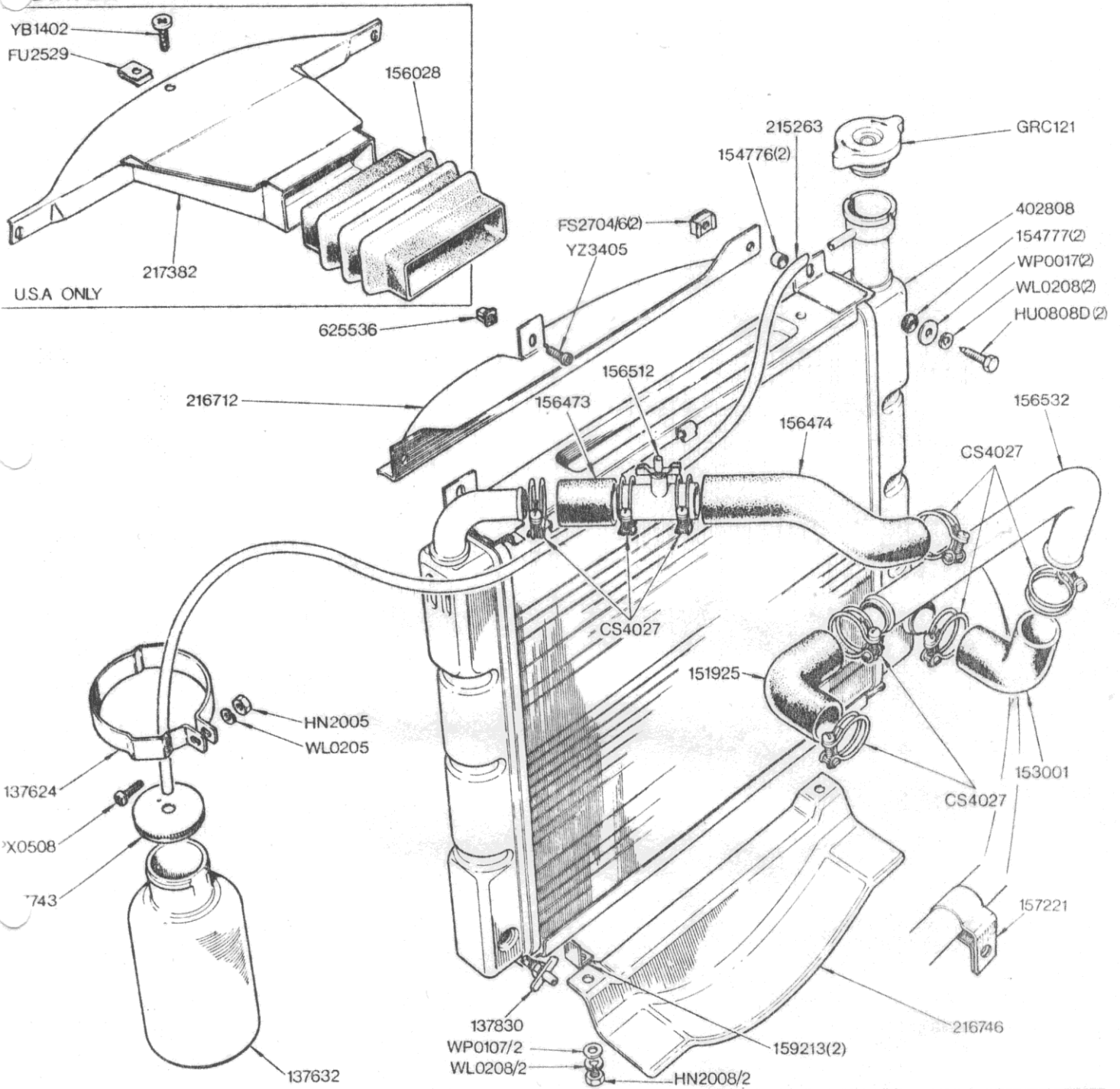


DIATOR



NOTE
 Fitted up to Commission No LE10,000 and LF11276 only.
 See Plate 02-79 for future details.

RADIATOR

02-78 Radiator - To Commission No LE10000 & LF11276	Part No	
	Triumph	Rimmer Bros
Overflow bottle retaining strap	137624	137624
Overflow bottle	137632	137632
Overflow bottle cap	137743	137743
Water drain tap	137830	137830
Hose - radiator pipe to engine no bottom	151925	GRH490
Hose - radiator to bottom pipe	153001	GRH491
Distance tube	154776	
Grommet	154777	154777
Gaiter - air cleaner to air duct, USA only	156028	156028
Hose - vent body to radiator	156473	GRH488
Hose - engine no to vent body	156474	
Vent tap assembly	156512	156512
Radiator pipe - lower	156532	156532
Clip	157221	157221
Bracket	159213	
Overflow pipe	215263	215263
Radiator top closing plate	216712	216712
Fan guard	216746	216746
Air duct assembly - USA only	217382	217382
Radiator block assembly	402808	402808
Nut - lock	625536	570779
Pipe clip - Supergrip	CS4027	GHC1015
Nut Retainer - Simmonds, spire, speed grip	FS2704/6	FS2704
Nut - U-type Simmonds Fix, USA only	FU2529	FU2529
Filler assembly cap	GRC121	GRC114
Nut	HN2005	HN2005
Nut	HN2008	GHF201
Setscrew - hex head spigot pointed end	HU0808D	GHF103
Setscrew - cross recess pan head	PX508	PT508
Washer - lock	WL0205	WL205
Washer - lock	WL0208	GHF332
Washer - plain, light	WP0017	RTC610A
Washer - plain, light	WP0107	GHF301
Screw - self-tapping, USA only	YB1402	YB1402
Screw - self-tapping cross recess A-type	YZ3405	YZ3405