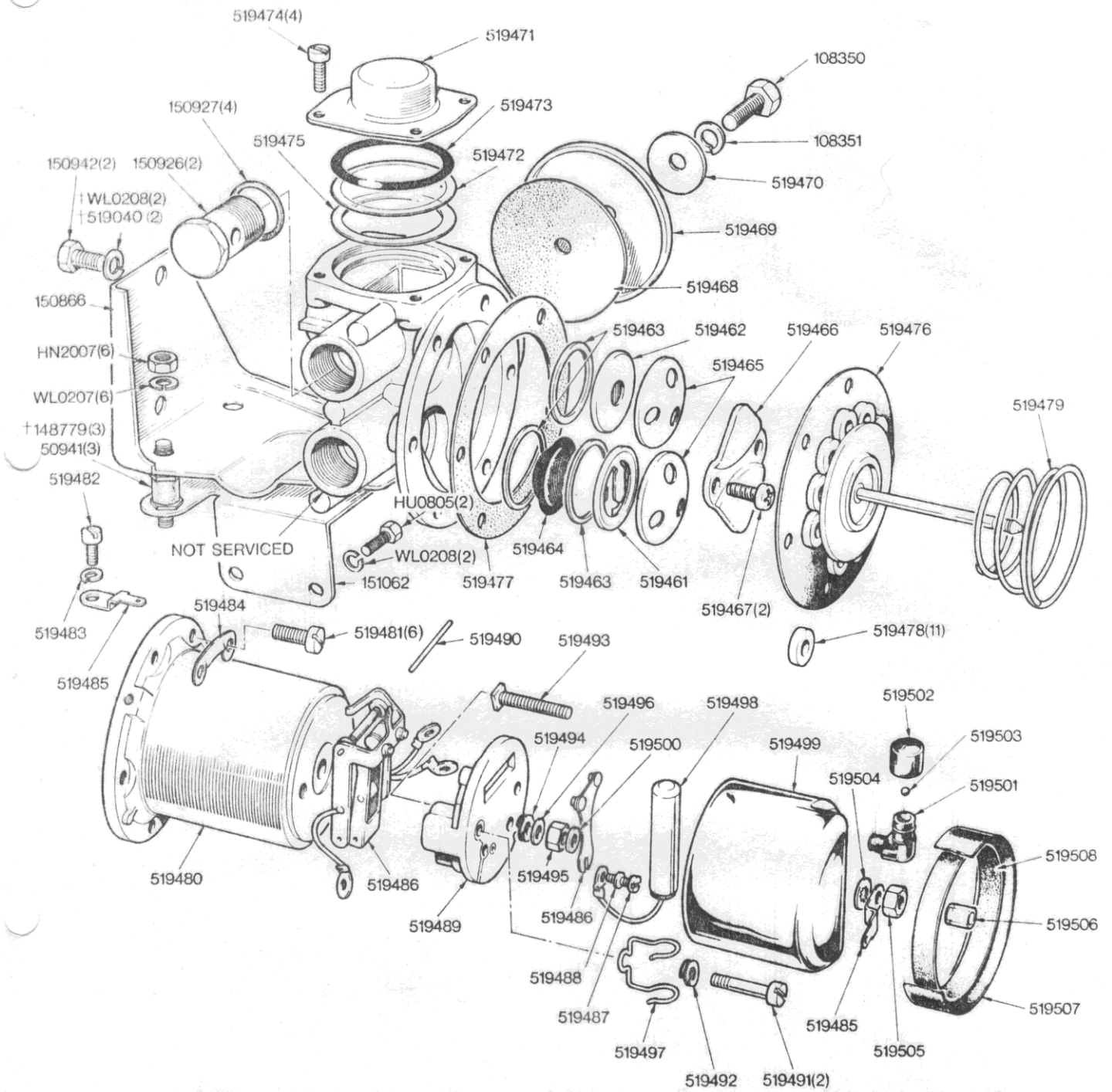


ELECTRICAL EQUIPMENT - Petrol Pump



150916 PETROL PUMP ASSEMBLY 1 off — A Z x 1321

‡Fitted up to Body No T1616LD only

†Fitted from Body No T1617LD and future

ELECTRICAL EQUIPMENT

| 02-82 Petrol Pump | Part No | | |
|-------------------------------------|---------|-------------|----------|
| | Triumph | Rimmer Bros | Burlen |
| Bolt | 108350 | | BZX 1015 |
| Washer | 108351 | | AUC 2246 |
| Rubber mounting - to body T1616LD | 148779 | UKC2451 | |
| Pump mounting bracket | 150866 | 150866 | |
| Petrol pump assembly | 150916 | AZX1311 | |
| Bolt - banjo | 150926 | | |
| Washer - fibre | 150927 | | AUC 2141 |
| Rubber mounting - from body T1617LD | 150941 | UKC2451 | |
| Setscrew | 150942 | 150942 | |
| Mounting bracket | 151062 | 151062 | |
| Washer - lock, to body T1617D | 519040 | GHF332 | |
| Inlet valve assembly | 519461 | | AUB 6062 |
| Outlet valve assembly | 519462 | | |
| Washer - sealing | 519463 | | AUB 676 |
| Inlet filter | 519464 | | AUB 617 |
| Valve cover | 519465 | | AUB 652 |
| Clamp plate | 519466 | | |
| Screw - self-tapping | 519467 | | |
| Washer - joint | 519468 | | AUA 573 |
| Cover - dished | 519469 | | AUA 574 |
| Washer - dished | 519470 | | AUA 575 |
| Air bottle cover | 519471 | | AUB 799 |
| Nylon diaphragm | 519472 | | AUB 656 |
| Diaphragm sealing ring | 519473 | | AUB 657 |
| Diaphragm fixing screw | 519474 | | AUC 2588 |
| Diaphragm plate washer | 519475 | | AUB 795 |
| Barrier diaphragm assembly | 519476 | | AUB 6097 |
| Washer - joint | 519477 | | AUB 809X |
| Roller bearing | 519478 | | BZX 1043 |
| Roller bearing spring | 519479 | | AUB 759 |
| Coil housing assembly | 519480 | | |
| Coil housing screw | 519481 | | AUB 660 |
| Earth screw | 519482 | | AUA 4850 |
| Earth screw spring washer | 519483 | | AUA 585 |
| Label | 519484 | | |
| Lucar connector | 519485 | | AUA 692 |
| Rocker & blade assembly | 519486 | | AUB 6106 |
| Blade fixing screw | 519487 | | AUA 565 |
| Washer - dished | 519488 | | AUA 566 |
| Pedestal assembly | 519489 | | AUB 6034 |
| Rocker spindle | 519490 | | AUA 1435 |
| Pedestal screw | 519491 | | AUA 1459 |
| Washer - spring | 519492 | | AUA 1863 |
| Terminal screw | 519493 | | AUA 1468 |
| Terminal screw washer - spring | 519494 | | AUA 1863 |
| Terminal nut | 519495 | | AUA 1661 |
| Washer | 519496 | | AUA 1662 |

ELECTRICAL EQUIPMENT

| 02-82 Petrol Pump | Part No | | |
|-------------------------|---------|-------------|----------|
| | Triumph | Rimmer Bros | Burlen |
| Condenser clip | 519497 | | |
| Condenser | 519498 | | CZX 1004 |
| End cover | 519499 | | |
| Terminal - screw washer | 519500 | | AUB 609 |
| Ventilator valve body | 519501 | | |
| Ventilator cap | 519502 | | |
| Ball valve | 519503 | | |
| Washer - shakeproof | 519504 | | WF702105 |
| Terminal nut | 519505 | | AUA 878 |
| Insulating sleeve | 519506 | | AUD 2565 |
| Sealing tape | 519507 | | |
| Sealing band | 519508 | | |
| Nut | HN2007 | GHF200 | |
| Setscrew | HU0805 | SH605051 | |
| Washer - lock | WL0207 | GHF331 | |
| Washer - lock | WL0208 | GHF332 | |