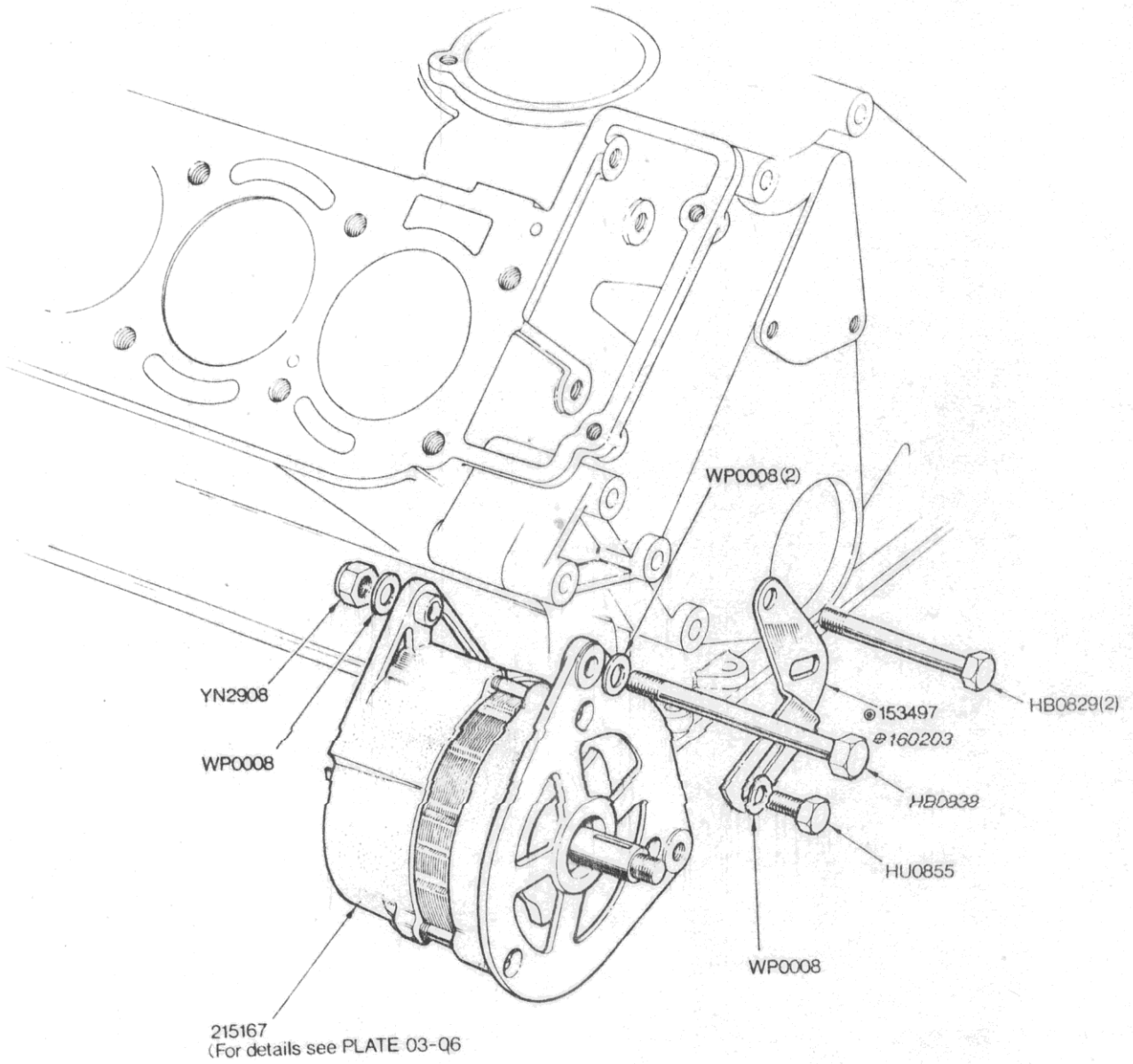


ELECTRICAL EQUIPMENT - Alternator Assembly and Mounting



NOTE

- ① Fitted up to Commission No. 20,000 only.
- ② Fitted from Commission No. 20,001 and future.

ELECTRICAL EQUIPMENT

03-05 Alternator Assembly & Mounting	Part No		
	Triumph	Lucas	Rimmer Bros
Link adjusting - to commission no 20000	153497		153497
Link adjusting - from commission no 20001	160203		160203
Alternator	215167	23521	GEU2202
Bolt - hexagon head	HB0829		BH605321
Bolt	HB0838		BH605401A
Setscrew - hex head	HU0855		SH505051
Washer - plain, light	WP0008		GHF301
Nut - nyloc 3/8"	YN2908		GHF222