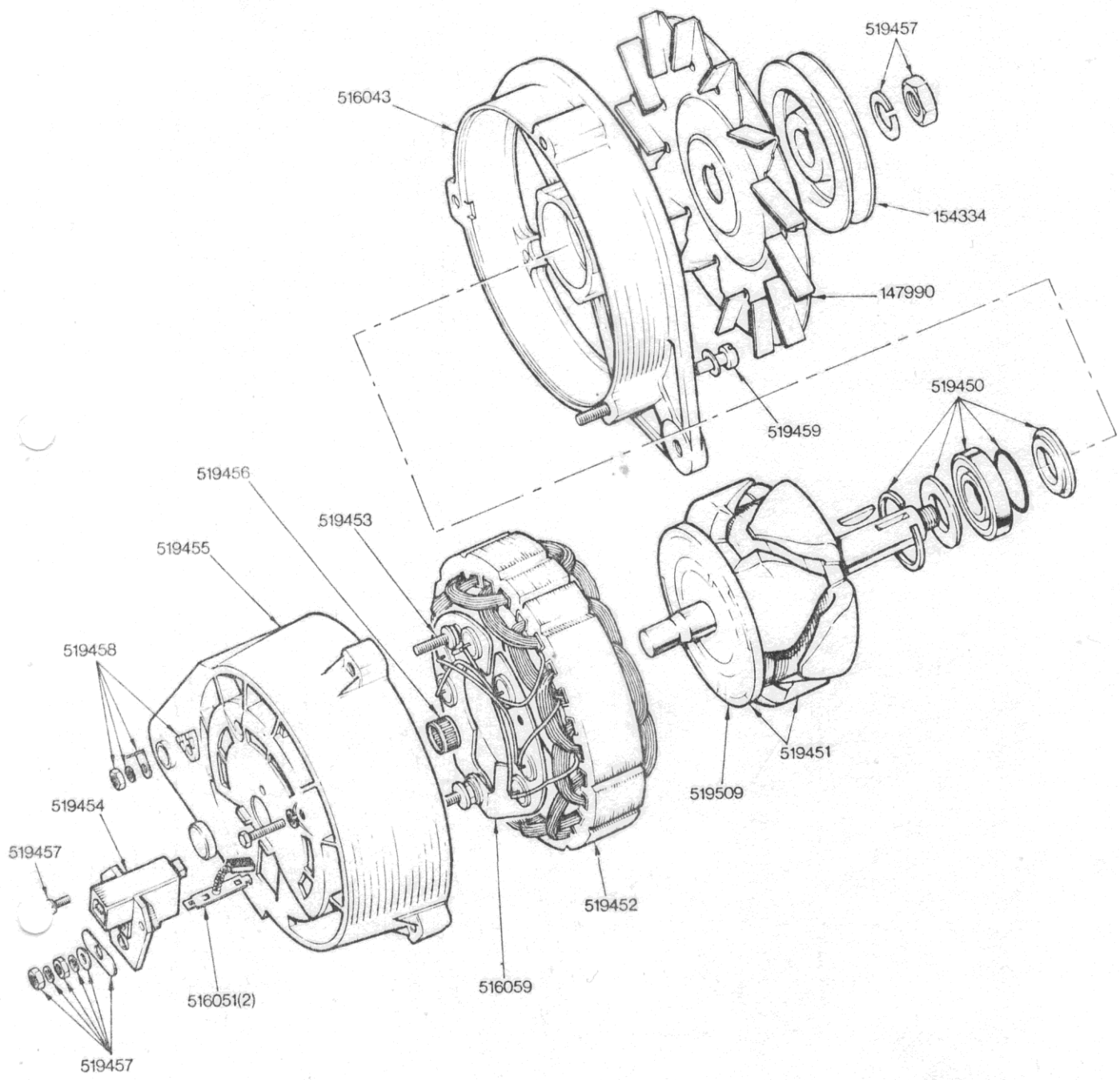


ELECTRICAL EQUIPMENT - Alternator Details (Fitted up to Commission No. 20,000 only)



NOTE
 All items on this Plate part of Alternator Assembly 215167 11ACR 1 off

STAG 03-06 B1844/5

ELECTRICAL EQUIPMENT

03-06 Alternator Details - 11ACR To commission no LD20000	Part No		
	Triumph	Lucas	Rimmer Bros
Fan	147990	54216148	AAU3956A
Pulley alternator	154334	54219467	AEU1238
Alternator	215167	23521	GEU2202
Bracket	516043	54216382	
Brush complete with spring	516051	54215076	
Heatsink	516059	54217551	
Bearing	519450	54219685	
Rotor & slip ring	519451	54218740	
Stator	519452	54216171	
Heatsink with anode base diode S negative	519453	54219249	
Brush box	519454	54216365	
Slip ring end bracket	519455	54218312	
Slip ring end bearing	519456	54219553	
Sundry parts set	519457	54219682	
Terminal kit	519458	54219292	
Through bolt	519459		
Slip ring	519509	54214541	