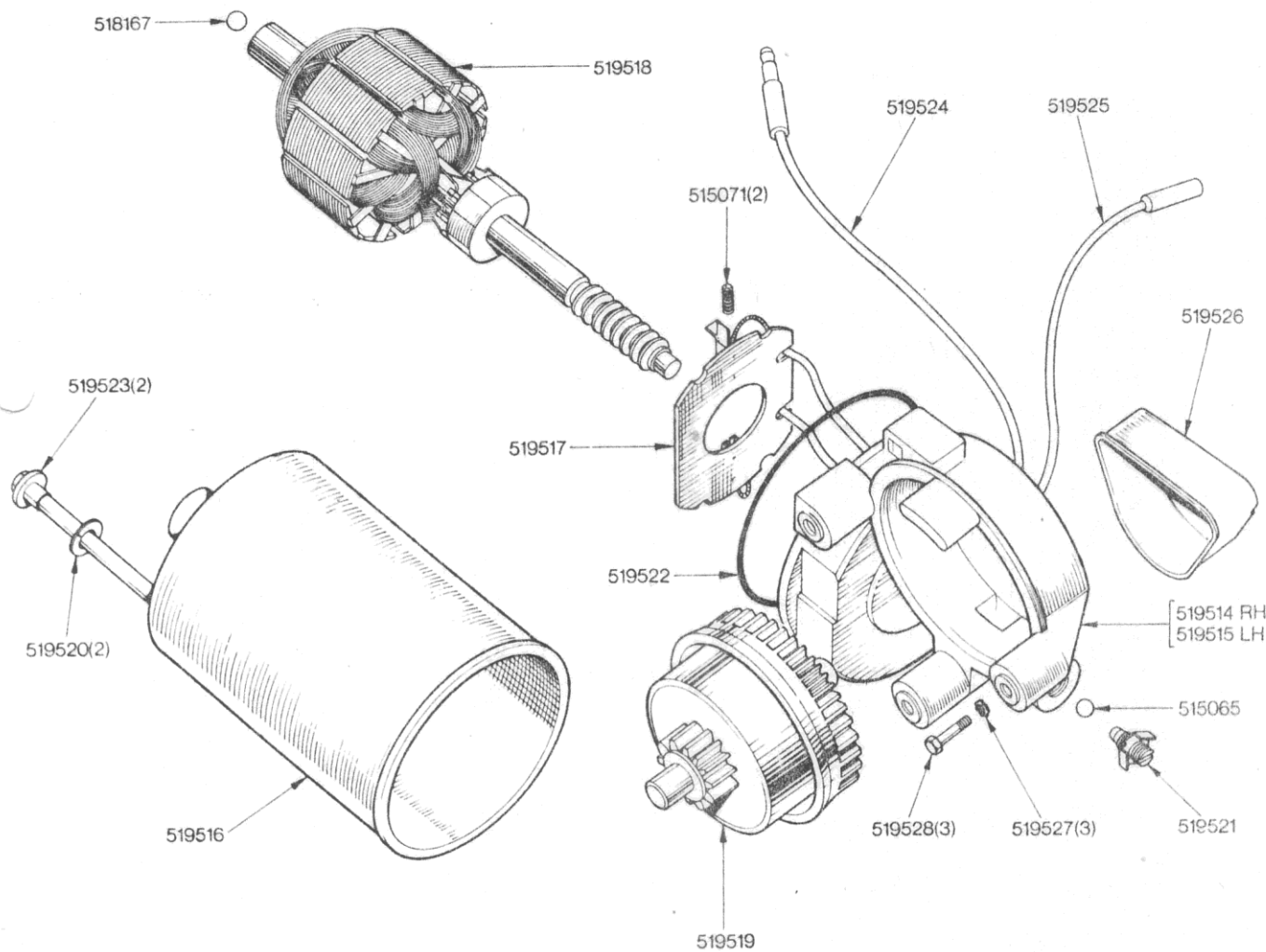


ELECTRICAL EQUIPMENT—Door Window Lift Motor



NOTE

17350	MOTOR ASSEMBLY WINDOW LIFT.	R.H.	1off
7351	MOTOR ASSEMBLY WINDOW LIFT.	L.H.	1off
6482	Lead Extension window lift motor required for first 2,500 cars		4off

ELECTRICAL EQUIPMENT

03-21 Door Window Lift Motor	Part No		
	Triumph	Lucas	Rimmer Bros
Window lift motor assembly - RH	217350		217350
Window lift motor assembly - LH	217351		217351
Ball	515065		
Spring	515071		
Ball thrust	518167		
Housing & bearing assembly - RH	519514		
Housing & bearing assembly - LH	519515		
End frame assembly	519516		
Brush plate assembly	519517		
Armature assembly	519518		
Shaft & coupling assembly	519519		
Washer - lock	519520		GHF331
Thrust screw & lock nut assembly	519521		
Sealing ring	519522		
Bolt	519523		SH604041
Brush & terminal assembly green lead	519524		
Brush & terminal assembly red lead	519525		
Water shield	519526		
Cock washer	519527		
Bolt	519528		