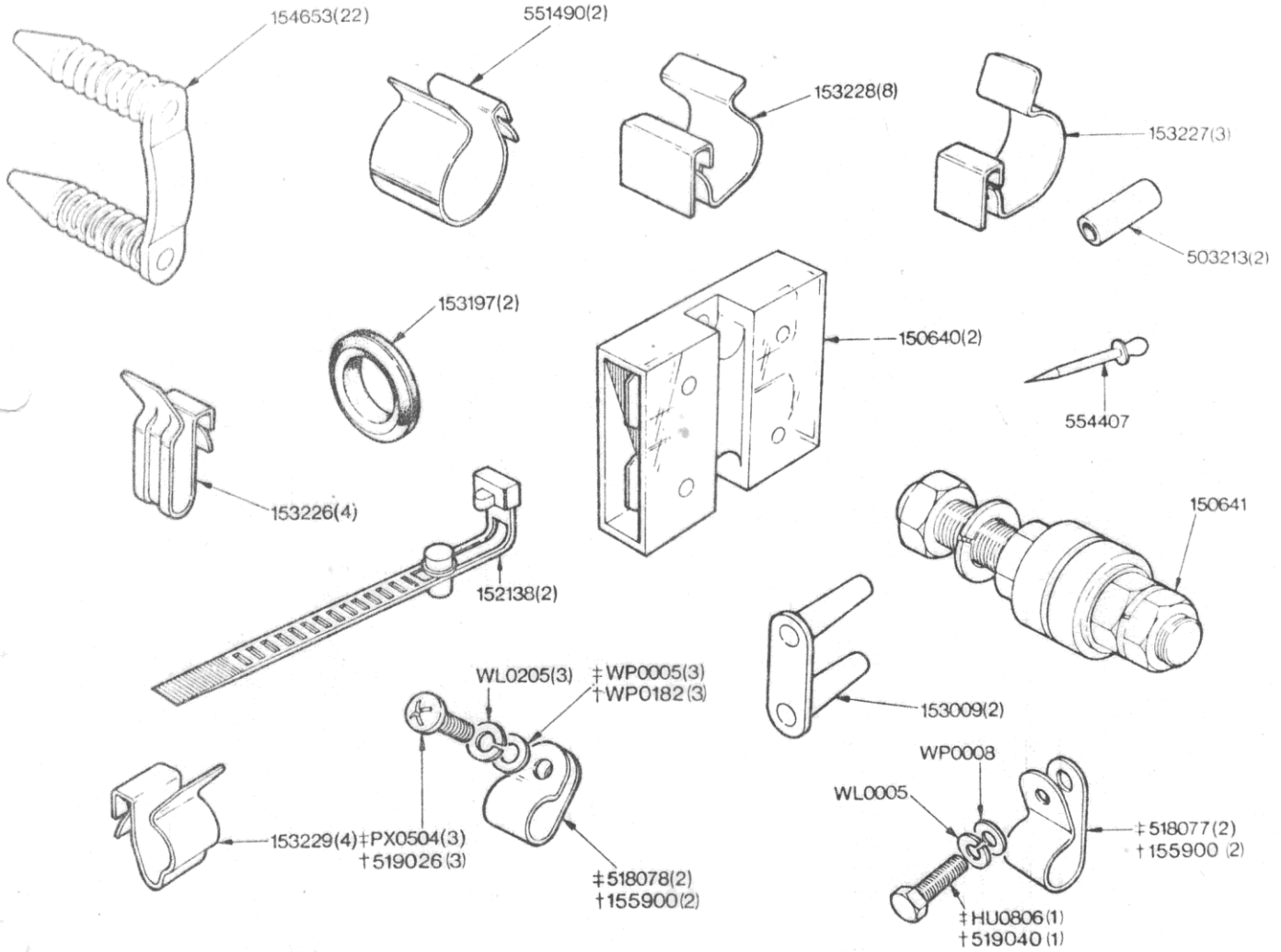


ELECTRICAL EQUIPMENT - Harness and Clips



| NOTE | | | | |
|--|--|---------|------------------------------|---|
| ‡Fitted up to Commission No. T20,000LD only | | +216456 | Lead, Extension, relay plate | 1 off |
| †Fitted from Commission No. T20,001LD and future | | 154113 | Lead, Extension, console | 1 off |
| +402847 | Main Harness R.H.S. | 1 off | +155213 | Lead, Extension, heated backlight |
| +402848 | Main Harness L.H.S. | 1 off | +156519 | Lead, Extension, heated backlight |
| +402849 | Main Harness R.H.S. | 1 off | UKC1192 | Harness Conversion used with Ignition Switch 218560 |
| +402850 | Main Harness L.H.S. | 1 off | 150638 | Lead Extension, door motor, and puddle lights |
| +402966 | Main Harness R.H.S. | 1 off | +217697 | Lead Extension relay plate (Air conditioning only) |
| +402967 | Main Harness L.H.S. | 1 off | +157275 | Lead Conversion, Main Harness to Wing Valance |
| +402968 | Main Harness R.H.S. | 1 off | +216454 | Facia Harness R.H.S. |
| +402969 | Main Harness L.H.S. | 1 off | +216455 | Facia Harness L.H.S. |
| +312436 | Main Harness R.H.S. | 1 off | ●217659 | Facia Harness R.H.S. |
| 150669 | Lead, Extension reverse lamp and overdrive | 1 off | ●217658 | Facia Harness L.H.S. |
| 151809 | Lead, Extension reverse lamp (Required for automatic transmission only) | 1 off | ++154031 | Body Harness R.H. |
| +216457 | Lead, Extension, relay plate | 1 off | ++154032 | Body Harness L.H. |
| | | | +154031 | Body Harness R.H. |
| | | | +158603 | Body Harness R.H. |
| | | | +151776 | Body Harness L.H. |
| | | | | U.S.A. only |

ELECTRICAL EQUIPMENT

| 03-22 Harness & Clips | Part No | | |
|---|---------|-------|-------------|
| | Triumph | Lucas | Rimmer Bros |
| Extension lead - door motor & puddle lights | 150638 | | |
| Charge/inspection connector block | 150640 | | 150640 |
| Stud assembly | 150641 | | 150641 |
| Extension lead - reverse lamp & overdrive | 150669 | | 150669 |
| Body Harness - LH, USA only, to commission no T20000LD | 151776 | | |
| Extension lead - reverse lamp, automatic transmission | 151809 | | 151809 |
| Cable strap | 152138 | | 152138 |
| Plastic clip | 153009 | | 153009 |
| Grommet | 153197 | | 153197 |
| Wiring clip | 153226 | | 153226 |
| Wiring clip | 153227 | | 153227 |
| Spring clip | 153228 | | 153228 |
| Clip pipe | 153229 | | 153229 |
| Body Harness - RH to commission no T20000LD | 154031 | | 160070 |
| Body Harness - LH to commission no T20000LD | 154032 | | 160069 |
| Extension lead - console | 154113 | | 154113 |
| Harness clip | 154653 | | 154653 |
| Extension lead - heated backlight, to commission no T20000LD | 155213 | | 155213 |
| P-clip from commission no T20001LD | 155900 | | 155900 |
| Extension lead - heated backlight, from commission no T20001LD | 156519 | | 155213 |
| Conversion lead - main harness to wing valance | 157275 | | |
| Body Harness - RH, USA only, from commission no T20001LD | 158603 | | |
| Facia harness - RHS, to commission no T20000LD | 216454 | | 216454 |
| Facia harness - LHS, to commission no T20000LD | 216455 | | 216455 |
| Extension lead - relay plate, except USA, from commission no T20001LD | 216456 | | 216456 |
| Extension lead - relay plate, except USA, to commission no T20000LD | 216457 | | 216457 |
| Facia harness - LHS, from commission no ? to T20000LD | 217658 | | 217658 |
| Facia harness - RHS, from T100601 to T20000LD | 217659 | | 217659 |
| Extension lead - relay plate, air conditioning & USA | 217697 | | |
| Main harness - RHS, air conditioning, from commission no T20001LD | 312436 | | |
| Main harness - RHS, to commission no T20000LD | 402847 | | 402847 |
| Main harness - LHS, to commission no T20000LD | 402848 | | 402848 |
| Main harness - RHS, air conditioning, to commission no T20000LD | 402849 | | |
| Main harness - LHS, air conditioning, to T20000LD | 402850 | | |
| Main harness - RHS, from commission no T20000LD | 402966 | | 402966 |
| Main harness - LHS, from commission no T20000LD | 402967 | | 402967 |
| Main harness - RHS, air conditioning, to commission no T20000LD | 402968 | | |
| Main harness - LHS, air conditioning, from commission no T20001LD | 402969 | | |
| Sleeve PVC | 503213 | | 513271 |
| P-clip to commission no T20000LD | 518077 | | 518077 |
| P-clip to commission no T20000LD | 518078 | | 518078 |
| Setscrew - cross recess pan head from commission no T20001LD | 519026 | | 519026 |
| Setscrew | 519040 | | 519040 |
| Harness clip | 551490 | | 551490 |
| Pop rivet | 554407 | | 713531 |
| Setscrew - hex head | HU0806 | | GHF120 |
| Setscrew - cross recess pan head to commission no T20000LD | PX0504 | | PX505 |
| Conversion harness - for use with ignition switch 218560 | UKC1192 | | |

ELECTRICAL EQUIPMENT

| 03-22 Harness & Clips continued | Part No | | |
|---|---------|-------|-------------|
| | Triumph | Lucas | Rimmer Bros |
| Washer - lock | WL0005 | | WL5 |
| Washer - lock | WL0205 | | WL205 |
| Washer - plain, light to commission no T20000LD | WP0005 | | WP5 |
| Washer - plain, light | WP0008 | | GHF301 |
| Washer - plain, light from commission no T20001LD | WP0182 | | WP28 |