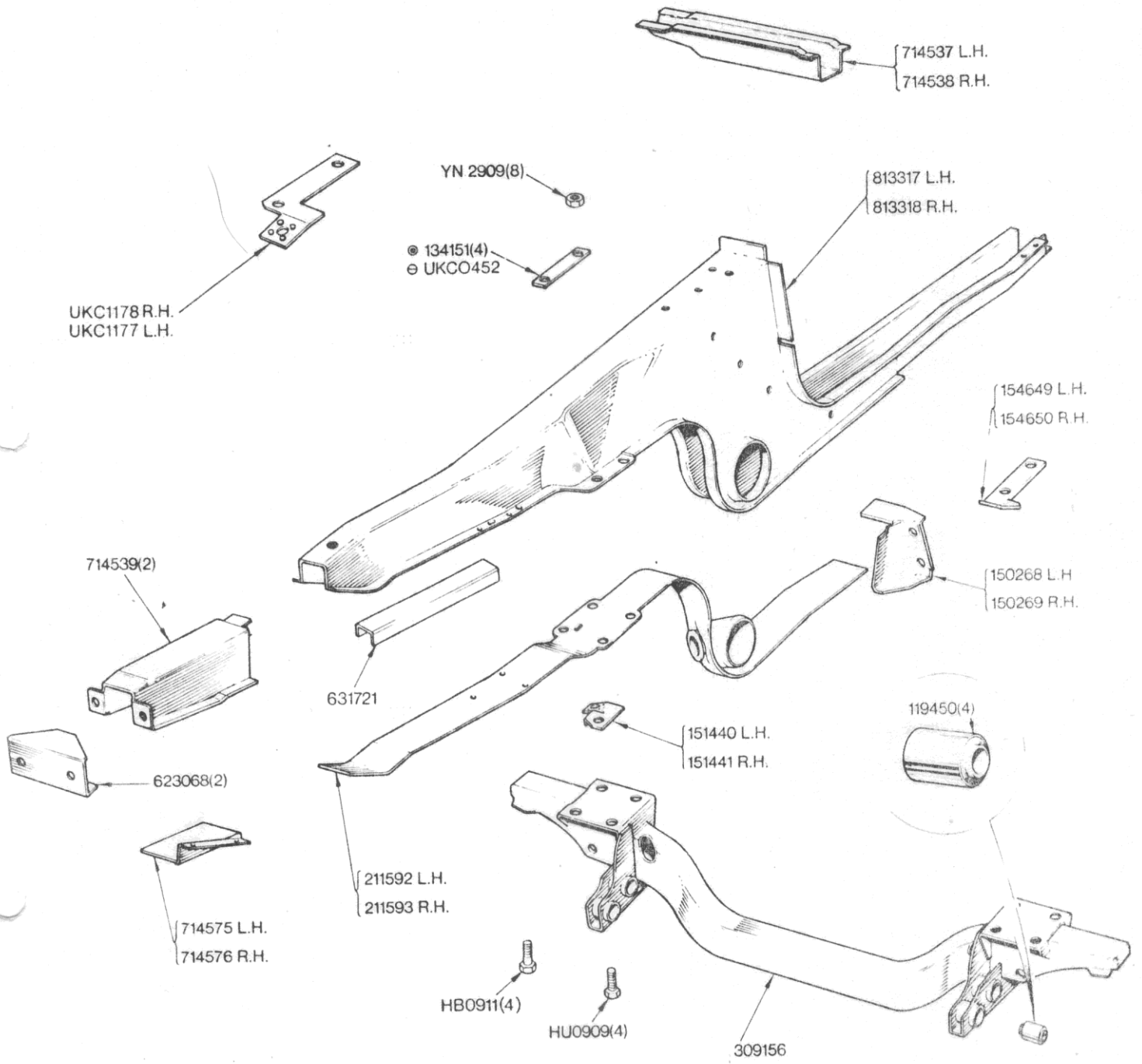


# BODY AND FITTINGS - Front Crossmember and Longitudinal Member



**NOTE**

● Fitted up to Commission No.      only  
 ○ Fitted from Commission No.      and future

## BODY & FITTINGS

03-30 Front Crossmember And Longitudinal Member	Part No	
	Triumph	Rimmer Bros
Bush - rubber	119450	119450
Fixing plate to commission no	134151	UKC452
Engine support bracket assembly - LH	150268	150268
Engine support bracket assembly - RH	150269	150269
Mounting bracket - LH	151440	151440
Mounting bracket - RH	151441	151441
Engine support bracket extension plate - LH	154649	154649
Engine support bracket extension plate - RH	154650	154650
Closing panel - LH	211592	211592
Closing panel - RH	211593	211593
Front suspension crossmember assembly	309156	309156
Front bumper mounting bracket	623068	623068
Front longitudinal member reinforcement	631721	631721
Side member to sill reinforcement - LH	714537	714537
Side member to sill reinforcement - RH	714538	714538
Front longitudinal member extension bracket	714539	714539
Condenser mounting bracket - LH	714575	714575
Condenser mounting bracket - RH	714576	714576
Front longitudinal member assembly - LH	813317	813317
Front longitudinal member assembly - RH	813318	813318
Bolt - hexagon head	HB0911	BH606111
Setscrew - hex head	HU0909	SH606101
Fixing plate from commission no	UKC0452	UKC452
Brake pipe/house junction mounting bracket - LH	UKC1177	UKC1177
Brake pipe/house junction mounting bracket - RH	UKC1178	UKC1178
Nut - nyloc	YN2909	GHF222