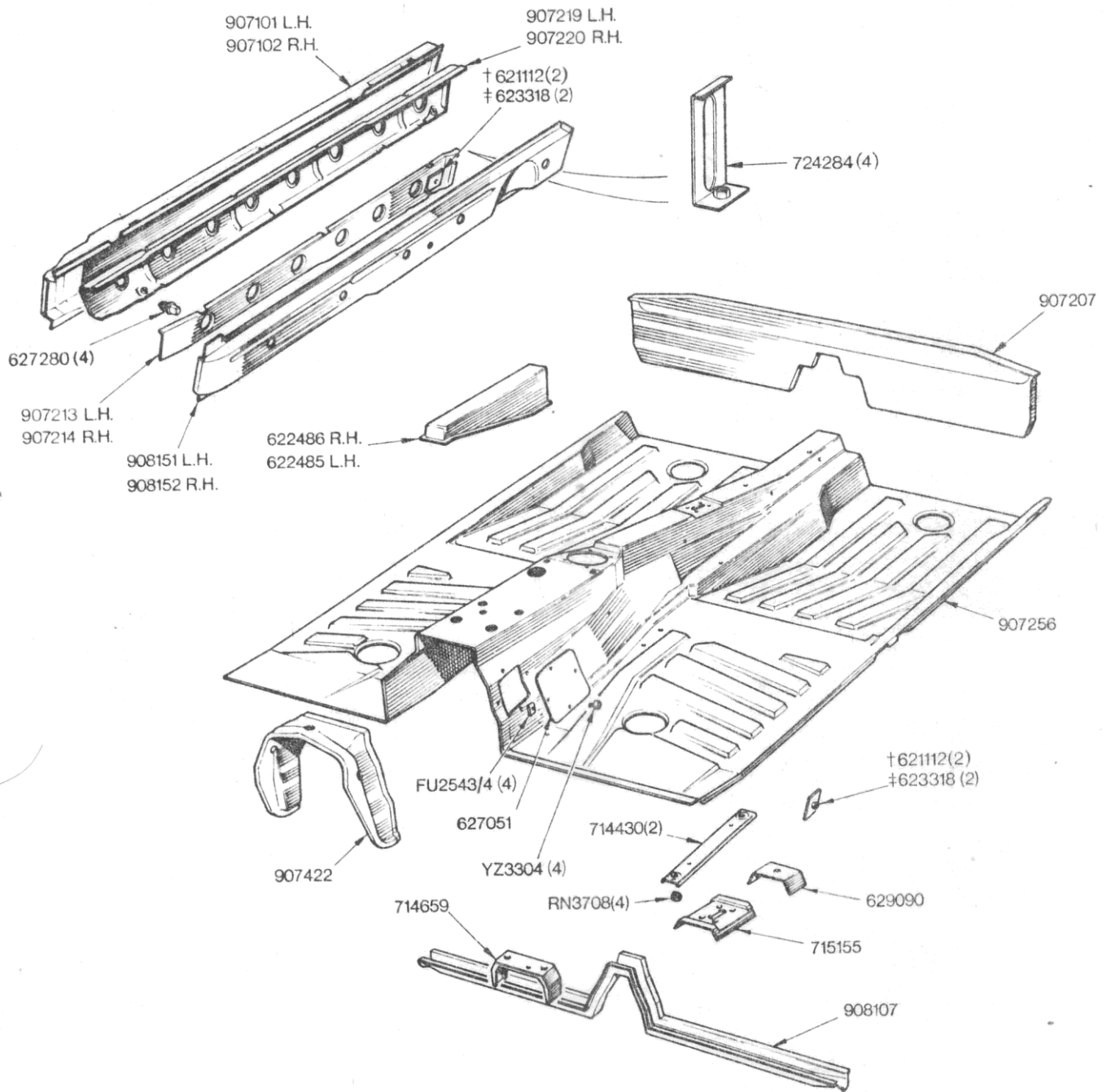


BODY AND FITTINGS - Main Floor and Sills



NOTE

‡ Fitted up to commission No 1935LD only.

† Fitted from commission No 1936LD and future.

615984 Washer Assembly, tunnel reinforcement safety belt fixing. 1off

612532 Washer, tunnel reinforcement. 1off

BODY & FITTINGS

03-32 Main Floor & Sills	Part No	
	Triumph	Rimmer Bros
Safety harness reinforcement plate assembly - from commission no 1936LD	621112	621112
Seat mounting platform assembly - LH	622485	
Seat mounting platform assembly - RH	622486	
Safety harness reinforcement plate assembly - to commission no 1935LD	623318	
Tunnel cover plate assembly	627051	627051
Jacking point stud	627280	ZKC3489
Safety harness reinforcement plate assembly	629090	629090
Seat mounting reinforcement assembly	714430	714430
Facia support reinforcement assembly	714659	714659
Handbrake reinforcement assembly	715155	715155
Outer sill panel support assembly	724284	724284
Outer sill panel - LH	907101	907101
Outer sill panel - RH	907102	907102
Heelboard panel	907207	907207
Sill reinforcement inner - LH	907213	
Sill reinforcement inner - RH	907214	
Sill outer panel assy reinforcement - LH	907219	
Sill outer panel assy reinforcement - RH	907220	
Main floor panel	907256	
Main floor to dash panel	907422	907422
Inner sill assembly - LH	908151	908151
Inner sill assembly - LH	908152	908152
Nut - Fix, Simmonds, U-type	FU2543/4	FU2543/4
Screw - self-tapping cross recess A-type	YZ3304	GHF421
Main floor panel - RH		907256RH
Main floor panel - LH		907256LH
Floor repair panel - RH front		907256RHF
Floor repair panel - RH rear		907256RHR
Floor repair panel - LH front		907256LHF
Floor repair panel - LH rear		907256LHR
Gearbox crossmember assembly		908107