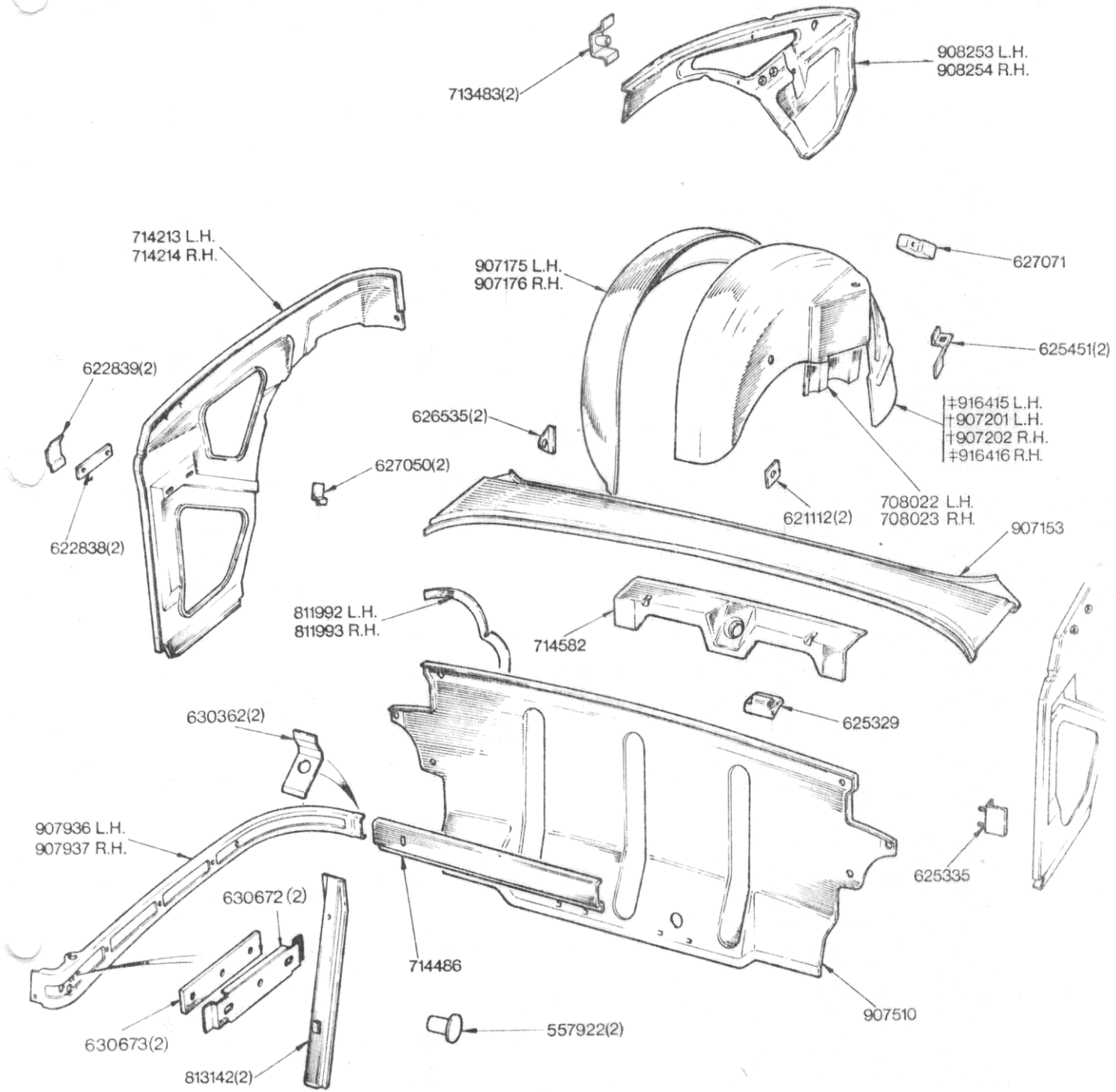


COMPONENTS AND FITTINGS—Rear Deck, Rear Quarter Inner Panel Rear Wheelarch



NOTE
 ‡Fitted up to Body No only.
 ‡Fitted from Body No and future.

BODY & FITTINGS

03-34 Rear Deck, Rear Quarter Inner Panel, Rear Wheelarch	Part No	
	Triumph	Rimmer Bros
Rivet	557922	557922
Safety harness reinforcement plate assembly	621112	
Tapped rear quarter plate	622838	
Tapped retainer plate	622839	
Luggage floor support bracket	625329	
Hood catch lever bracket assembly - LHS only	625335	
Luggage floor support bracket	625451	
Wheelarch hood spring bracket	626535	
Hood release spring stop bracket	627050	
Rear wheelarch trim board assembly mounting panel	627071	
Rear squab support plate guide	630362	
Retainer	630672	630672
Plate	630673	630673
Rear wheelarch inner reinforcement - LH	708022	708022
Rear wheelarch inner reinforcement - RH	708023	708023
Upper mounting bracket assembly	713483	
Rear quarter panel - LH	714213	714213
Rear quarter panel - RH	714214	714214
Rear squab support top rail	714486	714486
Rear deck to bulkhead reinforcement	714582	714582
Rear bulkhead to wheelarch bracket - LH	811992	811992
Rear bulkhead to wheelarch bracket - RH	811993	811993
Rear squab support rail	813142	813142
Rear deck panel	907153	907153
Rear wheelarch outer panel - LH	907175	907175
Rear wheelarch outer panel - RH	907176	907176
Rear wheelarch inner panel - LH, to body no ?	907201	907201
Rear wheelarch inner panel - RH, to body no ?	907202	907202
Rear bulkhead panel	907510	907510
Rear squab support side rail - LH	907936	907936
Rear squab support side rail - RH	907937	907937
Rear quarter inner assembly - LH	908253	908253
Rear quarter inner assembly - RH	908254	908254
Rear wheelarch inner panel - LH, from body no ?	916415	
Rear wheelarch inner panel - RH, from body no ?	916416	