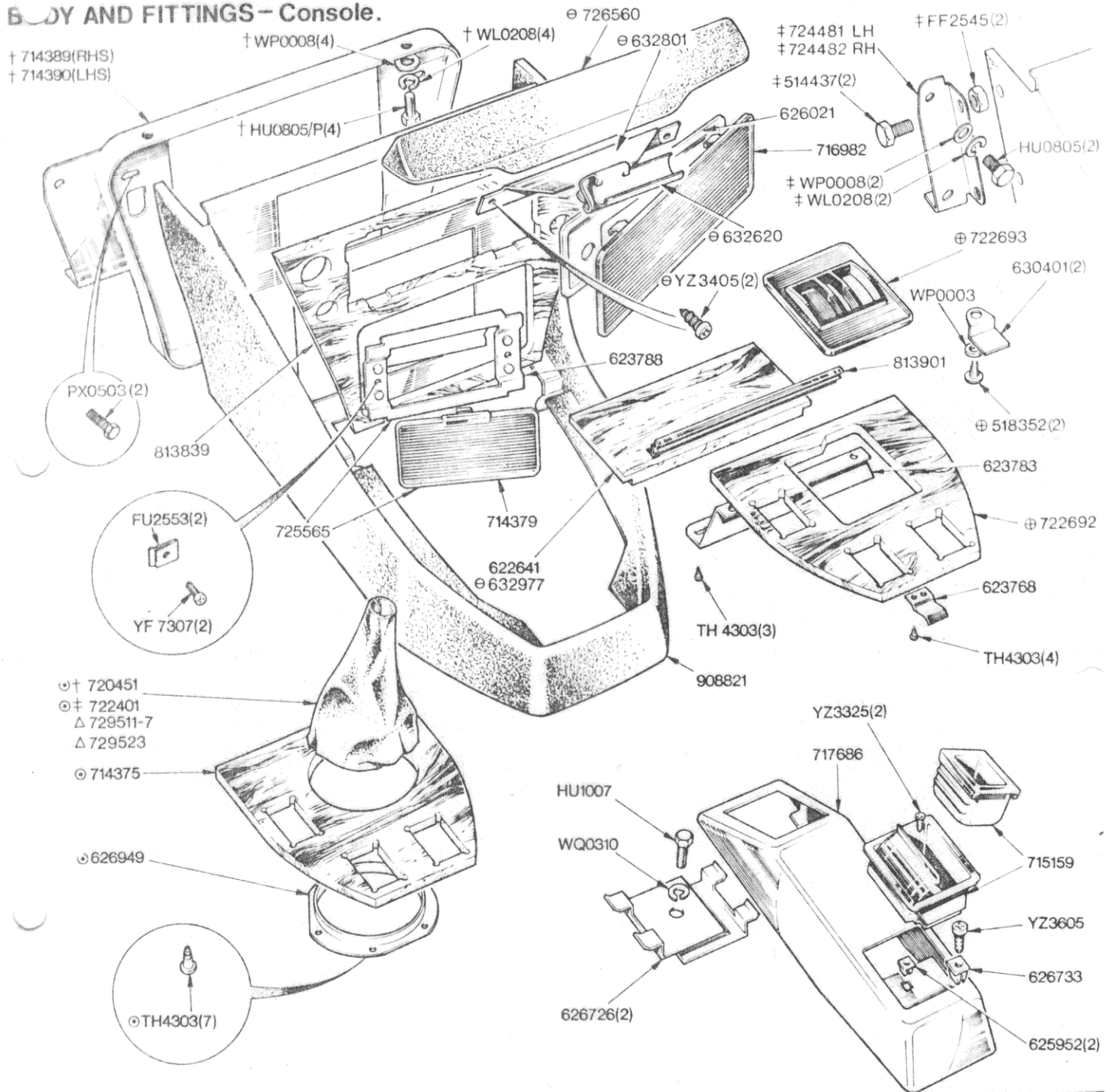


BODY AND FITTINGS - Console.



NOTE

- ⊙ Manual Transmission only
- ⊕ Automatic Transmission only
- † Fitted up to Engine No. only
- ‡ Fitted from Engine No. and future
- Δ Fitted from Body No. T20001LD and future
- ⊖ USA vehicles only

BODY & FITTINGS

03-45 Console	Part No	
	Triumph	Rimmer Bros
Screw	514437	GHF301
Setscrew	518352	518352
Console centre board	622641	
Console front board clip	623768	623768
Console centre board bracket	623783	623783
Ash tray bezel assembly	623788	623788
Nut - plastic	625952	625952
Radio aperture bezel	626021	626021
Safety harness retaining plate	626726	
Nut - plastic	626733	626733
Gaiter retaining ring	626949	626949
Clip - gear change lever moulding	630401	630401
Bulb holder edge fixing - USA	632620	632621
Bulb holder retainer - USA	632801	632801
Console centre board - USA	632977	
Console front board - manual	714375	
Ash tray bowl assembly	714379	714379
Console support panel assembly - Right Hand Steering	714389	714389
Console support panel assembly - Left Hand Steering	714390	714390
Rear console ash tray assembly	715159	715159
Radio cover plate	716982	716982
Rear console panel & safety harness support	717686	717686
Manual gear lever gaiter - to engine no ?	720451	
Manual gear lever gaiter - from engine no ?	722401	
Console front board - automatic	722692	
Gear change lever moulding - automatic	722693	722693
Parcel shelf bracket - Left Hand Steering	724481	724481
Parcel shelf bracket - Right Hand Steering	724482	724482
Heater control illumination cowl - USA	726560	726560
Manual gear lever gaiter - Black, from body no T20001LD	729511	729511
Manual gear lever gaiter - Chestnut, from body no T20001LD	729513	729511
Manual gear lever gaiter - Shadow Blue, from body no T20001LD	729517	729511
Manual gear lever gaiter - Saddle Tan, from body no T20001LD	729523	729511
Console centre board finisher	813901	813901
Console assembly	908821	908821
Fix nut	FF2545	GHF713
Nut - Fix, Simmonds, U-type	FU2553	FU2554
Setscrew - hex head	HU0805	SH605051
Setscrew - hex head pointed end	HU0805/P	SH605051
Setscrew - hex head	HU1007	
Setscrew - cross recess pan head	PX0503	PX503
Woodscrew	TH4303	TH4303
Woodscrew	TH4303	TH4303
Woodscrew	TH4303	TH4303
Washer - lock	WL0208	GHF332

BODY & FITTINGS

03-45 Console continued	Part No	
	Triumph	Rimmer Bros
Washer - lock	WL0208	GHF332
Washer - plain	WP0003	WP3
Washer - plain	WP0008	GHF301
Washer - lock, square section	WQ0310	
Screw - cross recess Simmonds J-type	YF7307	YF7308
Screw - self-tapping cross recess A-type	YZ3325	AC606051
Screw - self-tapping cross recess A-type, USA	YZ3405	YZ3406
Screw - self-tapping cross recess A-type	YZ3605	AB612051