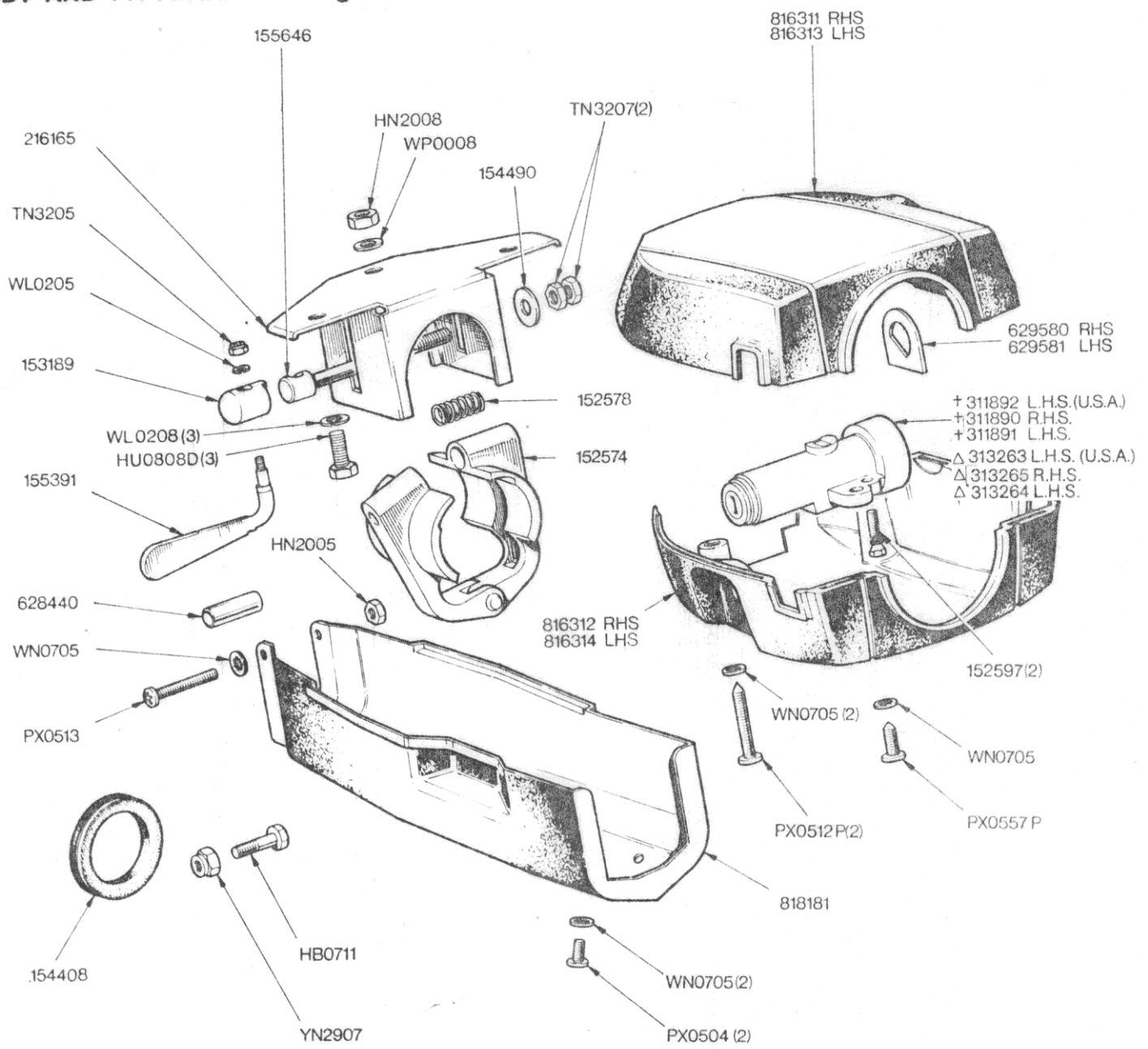


BODY AND FITTINGS—Steering Column Clamp and Nacelle



NOTE
 † Fitted up to Commission No. only
 Δ Fitted from Commission No. and future

BODY & FITTINGS

03-46 Steering Column Clamp & Nacelle	Part No	
	Triumph	Rimmer Bros
Steering column clamp assembly	152574	152574
Clamp spring	152578	152578
Steering lock shear bolt	152597	152597
Clamp lever housing	153189	153189
Grommet	154408	
Washer - plain	154490	154490
Clamp lever	155391	155391
Clamp bolt	155646	155646
Steering column lock - RHS, from commission no ?	160337	160337
Steering column facia mounting bracket	216165	216165
Steering column lock - RHS, to commission no ?	311890	
Steering column lock - LHS, to commission no ?	311891	
Steering column lock - USA, to commission no ?	311892	
Steering column lock - USA, from commission no ?	313263	
Steering column lock - LHS, from commission no ?	313264	
Distance tube	628440	628440
Steering column nacelle insert - RHS	629580	
Steering column nacelle insert - LHS	629581	
Steering column upper nacelle - RHS	816311	816311
Steering column lower nacelle - RHS	816312	816312
Steering column upper nacelle - LHS	816313	816313
Steering column lower nacelle - LHS	816314	816314
Steering column cover	818181	818181
Bolt - hexagon head	HB0711	
Nut	HN2005	
Nut	HN2008	GHF201
Setscrew - hex head spigot pointed end	HU0808D	GHF103
Setscrew - cross recess pan head	PX0504	PX505
Setscrew - cross recess pan head cone pointed end	PX0512P	PX512P
Setscrew - cross recess pan head	PX0513	PX513
Setscrew - cross recess pan head cone pointed end	PX0557P	PX557P
Nut - nyloc	TN3205	TN3205
Nut - nyloc	TN3207	GHF271
Washer - lock	WL0205	WL205
Washer - lock	WL0208	GHF332
Washer - shakeproof, internal	WN0705	WF702101
Washer - plain	WP0008	GHF301
Nut - nyloc	YN2907	