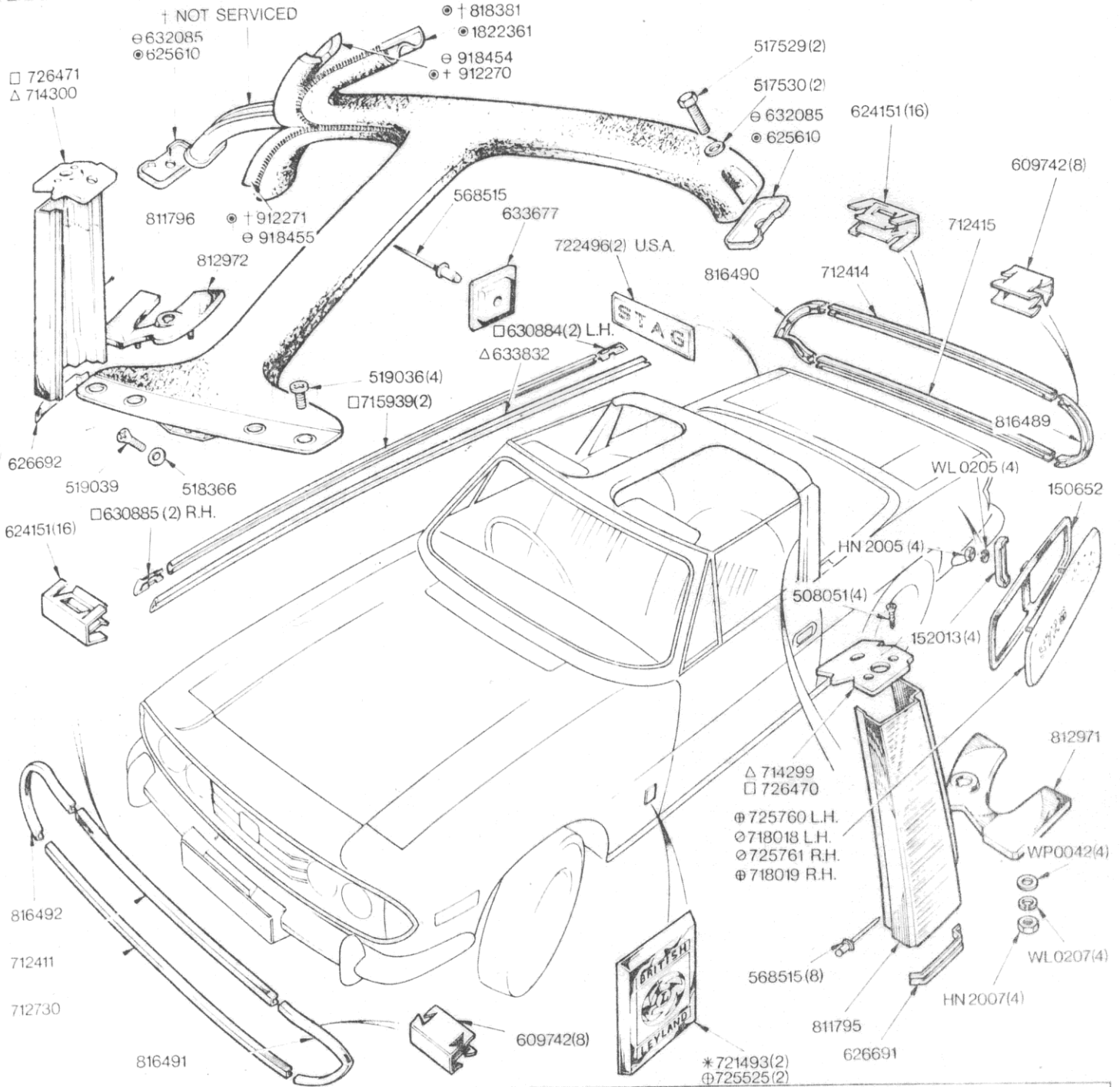


# BODY AND FITTINGS—Roll Over Bar and Mouldings



**NOTE**  
 Items marked thus † are part of Roll Over Bar Assembly 912291 only.  
 \* Fitted from Body No T3871 LD up to only.  
 ⊕ Fitted from Body No and future.  
 ⊖ Fitted from Body No. LD20,001 and future  
 ⊙ Fitted up to Body No. LD20,000 only  
 ⊗ Fitted up to Body No. only  
 ⊗ Fitted from Body No. and future  
 † 918441 Rollover Bar Assembly  
 Δ Fitted up to Body No. 20475 LD only  
 □ Fitted from Body No. 226702 LD and 21457 LE and future

# BODY & FITTINGS

03-64 Roll Over Bar and Mouldings	Part No	
	Triumph	Rimmer Bros
Gasket	150652	150652
Fixing clamp	152013	152013
Self-tapping screw	508051	510273
Setscrew	517529	SH607081
Washer - plain	517530	517530
Washer - plain	518366	518366
Setscrew	519036	GHF117
Setscrew	519039	519039
Rivet	568515	713531
Moulding clip	609742	613869
Moulding clip	624151	GHF1150
Roll over bar end trim - to body no LD20000	625610	625610
B-Post capping bearing - LH	626691	626691
B-Post capping bearing - RH	626692	626692
End cap - LH, from body no 226702LD and 21457LE	630884	630884
End cap - RH, from body no 226702LD and 21457LE	630885	630885
Roll over bar end trim - from body no LD20000	632085	632085
Moulding clip	633677	GHF1167
Sill moulding - to body no T20475LD	633832	
Front end upper moulding	712411	712411
Trunk lid moulding	712414	712414
Rear valence moulding	712415	712415
Front end lower moulding	712730	712730
B-Post top capping - LH, to body no T20475LD	714299	
B-Post top capping - RH, to body no T20475LD	714300	
Sill moulding - from body no 226702LD and 21457LE	715939	715939
Side marker badge assembly - LH, to body no ?	718018	718018
Side marker badge assembly - RH, to body no ?	718019	718019
Front wing badge - from body no T3871LD	721493	
Rear wing badge - USA only	722496	
Front wing badge - from body no ?	725525	725525
Side marker badge assembly - LH, from body no ?	725760	725760
Side marker badge assembly - RH, from body no ?	725761	725761
B-Post top capping - LH, from body no 226702LD and 21457LE	726470	726470
B-Post top capping - RH, from body no 226702LD and 21457LE	726471	726471
B-Post capping - LH	811795	811795
B-Post capping - RH	811796	811796
B-Post casting - LH	812971	812971
B-Post casting - RH	812972	812972
Rear end side moulding - LH	816489	816489
Rear end side moulding - RH	816490	816490
Front end side moulding - LH	816491	816491
Front end side moulding - RH	816492	816492
Roll over bar cover - to body no LD20000	818381	
Roll over bar cover - from body no LD20001	822361	
Roll over bar upper pad - to body no LD20000	912270	
Roll over bar lower pad - to body no LD20000	912271	
Roll over bar assembly	912291	912291

## BODY & FITTINGS

03-64 Roll Over Bar and Mouldings continued	Part No	
	Triumph	Rimmer Bros
Roll over bar upper pad - from body no LD20000	918454	
Roll over bar lower pad - from body no LD20001	918455	
Nut	HN2005	HN2005
Nut	HN2007	GHF200
Washer - lock	WL0027	GHF331
Washer - lock	WL0205	WL206
Washer - plain	WP0042	GHF300
Roll over bar cover		RS1440