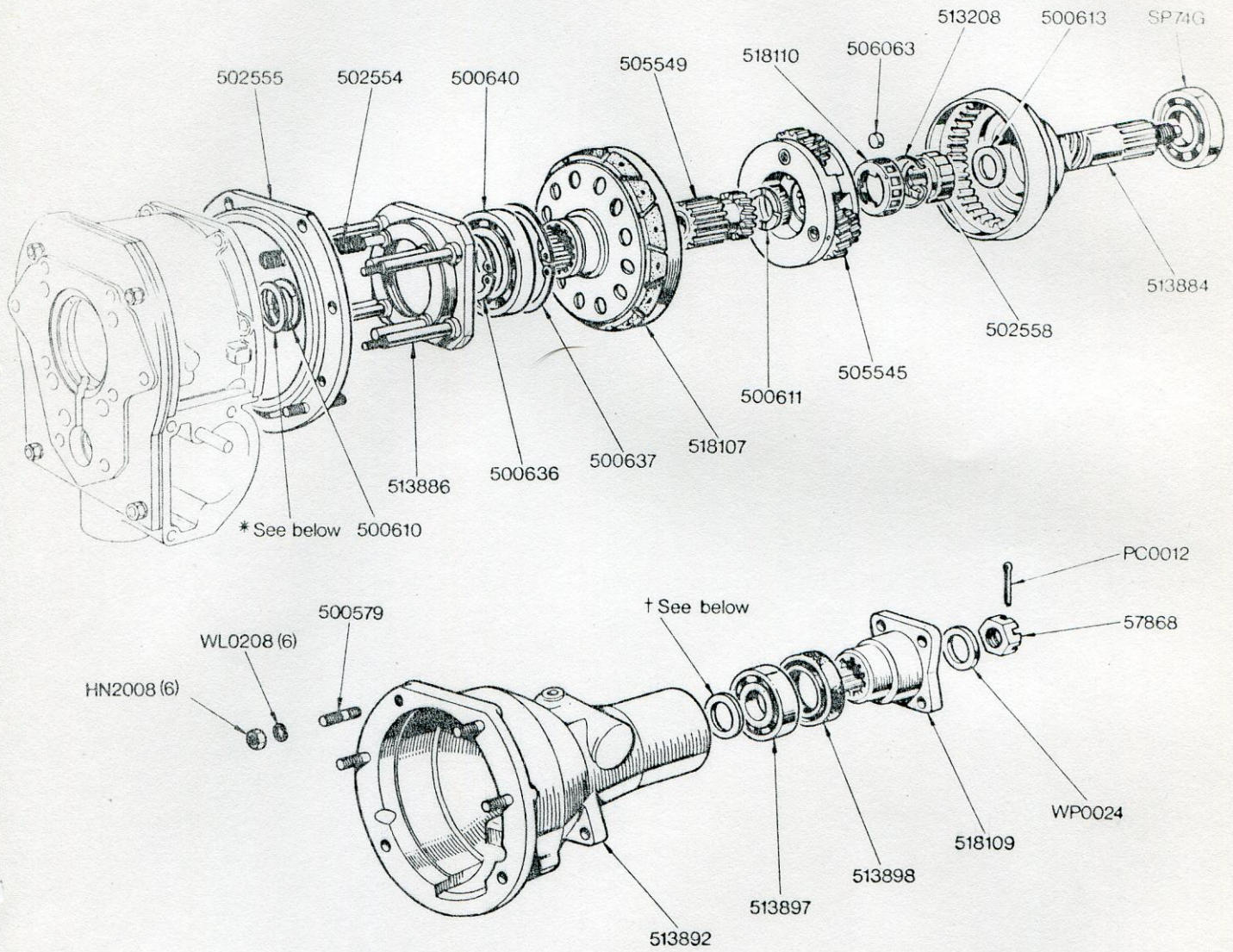


OVERDRIVE - Gears and Rear Casing



NOTE

518106 BEARING KIT, planet wheels 1off
 * WASHER THRUST FRONT OF SUNWHEEL

* 500588		NO	OFF	A/R
A	113/114	"	"	"
B	107/108	"	"	"
C	101/102	"	"	"
D	095/096	"	"	"
E	089/090	"	"	"
F	083/084	"	"	"
G	077/078	"	"	"

† WASHER, ADJUSTING ANNULUS END FLOAT

† 500623		NO	OFF	A/R
E	.146"	"	"	"
F	.151"	"	"	"
G	.156"	"	"	"
H	.161"	"	"	"
J	.166"	"	"	"

OVERDRIVE

04-11 Gears and rear casing	Part No	
	Triumph	Rimmer Bros
Thrust washer, front of sun wheel - 0.113" - 0.114"	500588A	500588A
Thrust washer, front of sun wheel - 0.107" - 0.108"	500588B	500588B
Thrust washer, front of sun wheel - 0.101" - 0.102"	500588C	500588C
Thrust washer, front of sun wheel - 0.095" - 0.096"	500588D	500588D
Thrust washer, front of sun wheel - 0.089" - 0.090"	500588E	500588E
Thrust washer, front of sun wheel - 0.083" - 0.084"	500588F	500588F
Thrust washer, front of sun wheel - 0.077" - 0.078"	500588G	500588G
Thrust washer	500610	500610
Brake ring	502555	502555
Clutch spring set	502554	502554
Ring assembly	513886	513886
Circlip	500636	500636
Ball bearing	500640	500640
Circlip	500637	500637
Clutch assembly	518107	518107R
Sunwheel assembly	505549	505549 505548
Washer	500611	Bottom of Form
Planet carrier assembly	505545	505545
Cage, roller	518110	
Rollers, steel	505063	505063
Spring	513208	513208
Inner member free wheel	502558	
Sprag' bearing		BAU2061A
Washer	500613	500613
Annulus assembly	513884	513884
Bearing Assembly	SP74G	SP74G
Nut - steel	HN2008	GHF201
Washer, lock	WL0208	GHF332
Stud	500579	500579
Rear casing	513892	513892
Adjusting washer - 0.146"	500623/E	500623/E
Adjusting washer - 0.151"	500623/F	500623/F
Adjusting washer - 0.156"	500623/G	500623/G
Adjusting washer - 0.161"	500623/H	500623/H
Adjusting washer - 0.166"	500623/J	500623/J
Ball bearing	513897	513897
Oil seal	513898	146129
Mainshaft flange	518109	518109
Washer, plain	WP0024	WP24
Nut, castellated	57868	57868
Pin - cotter (split)	PC0012	PC12